

4A Ultra Low Dropout Positive Linear Regulator

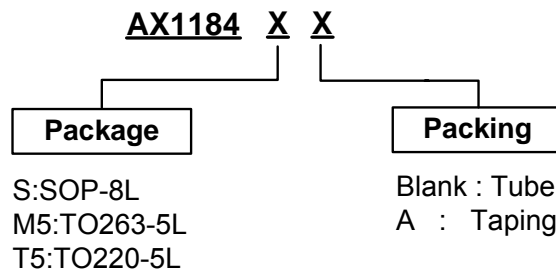
■ Feature

- 0.7V maximum dropout voltage at 4A load current
- Built-in Thermal shutdown
- Output current limiting
- Adjustable output voltage: 1.250V
- Fast transient response
- Good noise rejection
- Packages: SOP-8L, TO220-5L and TO263-5L

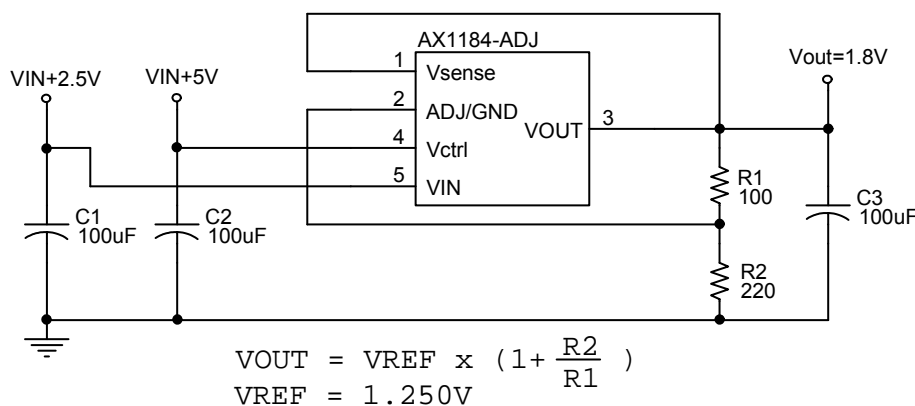
■ General Description

AX1184 is a 4A regulator with extremely low dropout voltage. This product is specifically designed to provide well regulated supply for applications requiring 2.8V or lower voltages from 3.3V ATX power supplies where high efficiency of the switch can be achieved without the cost and complexity associated with switching regulator. One such application is the new graphic chipsets that requires anywhere from 2.4V to 2.7V supply.

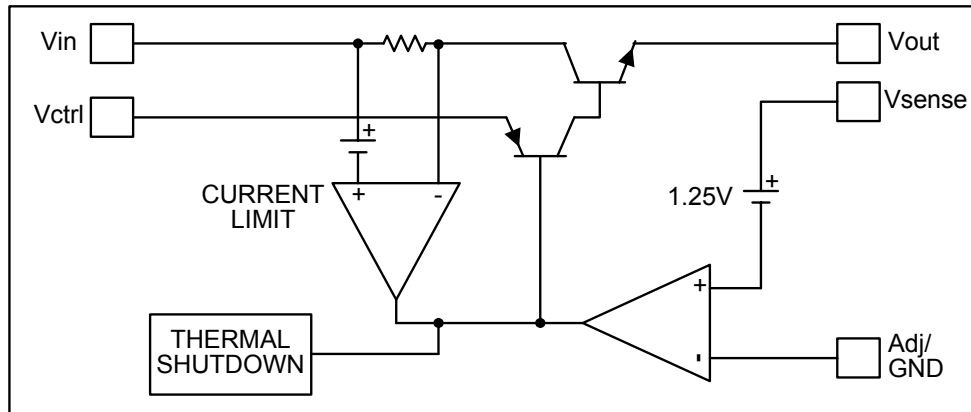
■ Ordering Information



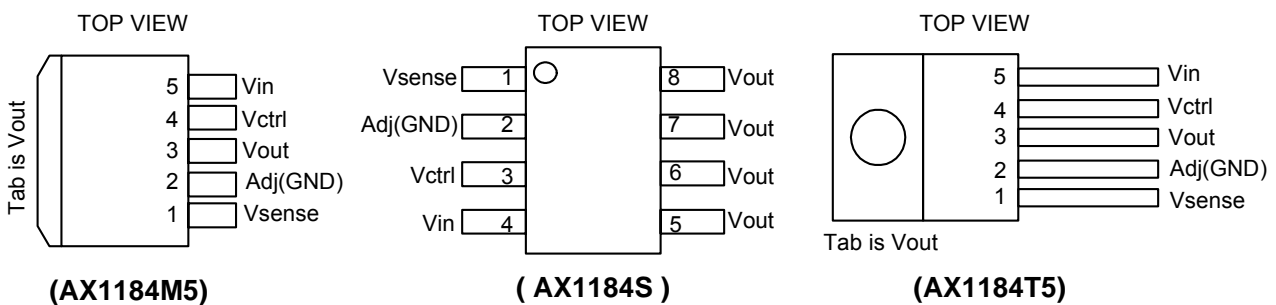
■ Typical Application



■ Block Diagram



■ Pin Configuration



■ Pin Descriptions

Name	I/O	Description
Adj (GND)		A resistor divider from this pin to the Vout pin and ground sets the output voltage. (GND only for fixed mode)
Vsense	I	This pin is the positive side of the reference that allows remote load sensing to achieve excellent load regulation.
Vin	I	The input of the regulator. Typically a large storage capacitor is connected from this pin to ground to insure that the input voltage does not sag below the minimum dropout voltage during the load transient response. This pin must always be higher than Vout in order for the device to regulate.
Vctrl	I	This pin is the supply pin for the internal control circuit as well as the base drive for the pass transistor. This pin must always be higher than the Vout pin in order the device to regulate. A minimum of 100uF capacitor must be connected from this pin to ground to insure stability.
Vout	O	The output of the regulator. A minimum of 100uF capacitor must be connected from this pin to ground to insure stability.

Absolute Maximum Ratings

Symbol	Parameter	Rating	Unit
V_{IN}	Input Voltage	12	V
V_{ctrl}	Control Input voltage	14	V
P_D	Power dissipation	Internally limited	
T_{ST}	Storage temperature Range	-65 to +150	°C
T_{OP}	Operation Junction Temperature Range	0 to +150	°C

Electrical Characteristics

Unless otherwise specified, these specifications apply over, $C_{in}=100\mu F$, $C_{out}=100\mu F$, and $T_j=0$ to $150^\circ C$. Typical value refer to $T_j=25^\circ C$. $V_{out}=V_{sense}$.

Sym.	Parameter	Test Condition	Min.	Typ.	Max.	Unit
V_{REF}	Reference Voltage	$I_o=10mA$, $T_j=25^\circ C$, $(V_{in}-V_{out})=0.7V$, $V_{ctrl}=V_{IN}+1V$	1.225	1.250	1.275	V
	Line Regulation	$I_o=10mA$, $V_{OUT}+0.7V < V_{IN} < 12V$, $T_j=25^\circ C$, $V_{ctrl}=V_{IN}+1V$	-	0.2	0.5	%
	Load Regulation	$0mA < I_o < 4A$, $T_j=25^\circ C$, $(V_{IN}-V_{OUT})=2V$, $V_{ctrl}=V_{IN}+1V$	-	-	1	%
	Dropout Voltage ($V_{ctrl}-V_{out}$)	$V_{adj}=0V$ for all conditions below. $V_{in}=2.05V$, $I_o=1.5A$	-	-	1.15	V
$V_{in}=2.05V$, $I_o=3A$		-	-	1.18		
$V_{in}=2.05V$, $I_o=4A$		-	1.10	1.25		
	Dropout Voltage ($V_{in}-V_{out}$)	$V_{adj}=0V$ for all conditions below. $V_{ctrl}=2.75V$, $I_o=1.5A$	-	0.26	0.38	V
$V_{ctrl}=2.75V$, $I_o=3A$		-	0.50	0.60		
$V_{ctrl}=2.75V$, $I_o=4A$		-	0.70	0.85		
	Current Limit	$V_{ctrl}=2.75V$, $V_{in}=2.05V$, $\Delta V_o=100mV$, $V_{adj}=0V$	4.2	-	-	A
	Minimum Load Current	$V_{ctrl}=5V$, $V_{in}=3.3V$, $V_{adj}=0V$	-	5	10	mA
	Thermal Regulation	30mS Pulse	-	0.01	0.02	%/W
	Ripple Rejection	$V_{ctrl}=5V$, $V_{in}=5V$, $I_o=4A$, $V_{adj}=0V$, $T_j=25$, $V_{ripple}=1V_{pp}$ at 120Hz	60	70	-	dB
	Control Pin Current	$V_{adj}=0V$ for all conditions below. $V_{ctrl}=2.75V$, $V_{in}=2.05V$, $I_o=1.5A$	-	6	25	mA
$V_{ctrl}=2.75V$, $V_{in}=2.05V$, $I_o=3A$		-	30	60		
$V_{ctrl}=2.75V$, $V_{in}=2.05V$, $I_o=4A$		-	33	70		
I_{ADJ}	Adjust Pin Current	$V_{ctrl}=2.75V$, $V_{in}=2.05V$, $V_{adj}=0$	-	50	150	μA
θ_{JC}	Thermal Resistance Junction-to-Case	TO-263: Control Circuitry/Power Transistor	-	3.5	-	°C/W
		TO-220: Control Circuitry/Power Transistor	-	2.5	-	°C/W
		SOP-8: Control Circuitry/Power Transistor	-	30	-	°C/W
θ_{JA}	Thermal Resistance Junction-to-Ambient	TO-263: Control Circuitry/Power Transistor	-	25	-	°C/W
		TO-220: Control Circuitry/Power Transistor	-	25	-	°C/W
		SOP-8: Control Circuitry/Power Transistor	-	65	-	°C/W

Note : θ_{JA} is measured with the PCB copper area (need connect to V_{SS} pins) of approximately 2 in^2 (Multi-layer).

Power Dissipations

Package	Max Pd.	Remarks
TO263/TO220	2.4W~4.4W	With heat sink or amount of copper board needed.
SOP8	1W~2W	With heat sink or amount of copper board needed.

■ Functional Descriptions

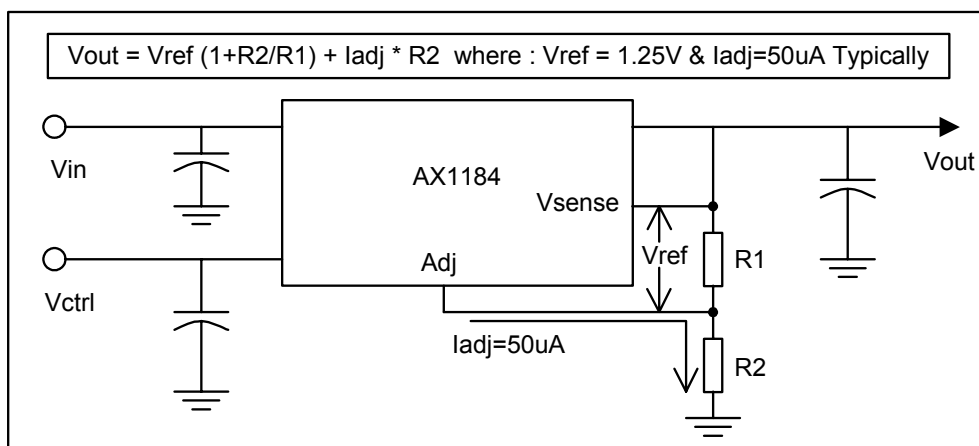
Introduction

The AX1184 regulator is 5 terminal device designed specifically to provide extremely low dropout voltages comparable to the PNP type without the disadvantage of the extra power dissipation due to the base current associated with PNP regulators. This is done by bringing out the control pin of the regulator that provides the base current to the power NPN and connecting it to a voltage that is greater than the voltage present at the Vin pin. This flexibility makes the AX1184 ideal for applications where dual inputs are available such as a computer motherboard with an ATX style power supply that provides 5V and 3.3V to the board. One such application is the new graphic chip sets that require anywhere from 2.4V to 2.7V supply. The AX1184 can easily be programmed with the addition of two external resistors to any voltages within the range of 1.25V to 11.0V. Another major requirement of these graphic chips is the need to switch the load current from zero to several amps in tens of nanoseconds at the processor pins, which translates to an approximately 300 to 500ns of current step at the regulator. In addition, the output voltage tolerances are also extremely tight and they include the transient response as part of the specification.

The AX1184 is specifically designed to meet the fast current transient needs as well as providing an accurate initial voltage, reducing the overall system cost with the need for fewer number of output capacitors. Another feature of the device is its true remote sensing capability that allows accurate voltage setting at the load rather than at the device.

Output Voltage Setting

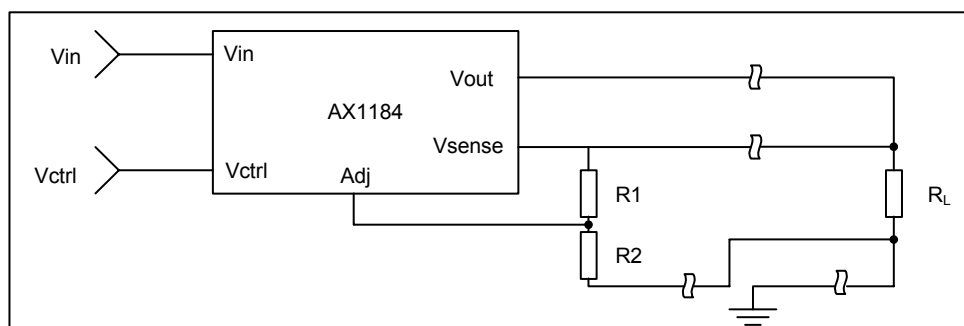
The AX1184 can be programmed to any voltages in the range of 1.25V to 11.0V with the addition of R1 and R2 external resistors according to the following formula:



The AX1184 keeps a constant 1.25V between the Vsense pin and the Adj pin. By placing a resistor R1 across these two pins and connecting the Vsense and Vout pin together, a constant current flows through R1, adding to the Iadj current and into the R2 resistor producing a voltage equal to the $(1.25/R1) * R2 + I_{adj} * R2$. This voltage is then added to the 1.25V to set the output voltage. This is summarized in the above equation. Since the minimum load current requirement of the AX1184 is 10mA, R1 is typically selected to be a 121Ω resistor so that it automatically satisfies this condition. Notice that since the Iadj is typically in the range of 50uA it only adds a small error to the output voltage and should be considered when very precise output voltage setting is required.

Load Regulation

Since the AX1184 has separate pins for the output (Vout) and the sense (Vsense), it is ideal for providing true remote sensing of the output voltage at the load. This means that the voltage drops due to parasitic resistance such as PCB traces between the regulator and the load are compensated for using remote sensing. Figure following shows a typical application of the AX1184 with remote sensing.



Stability

The AX1184 requires the use of an output capacitor as part of the frequency compensation in order to make the regulator stable. Typical designs for the microprocessor applications use standard electrolytic capacitors with typical ESR in the range of 50 to 100mΩ and an output capacitance of 100uF to 1000uF. Fortunately as the capacitance increases, the ESR decreases resulting in a fixed RC time constant. The AX1184 takes advantage of the phenomena in making the overall regulator loop stable. For most applications a minimum of 100uF aluminum electrolytic capacitor insures both stability and good transient response.

Thermal Design

The AX1184 incorporates an internal thermal shutdown that protects the device when the junction temperature exceeds the allowable maximum junction temperature. Although this device can operate with junction temperatures in the range of 150°C, it is recommended that the selected heat sink be chosen such that during maximum continuous load operation, the junction temperature is kept below this number. The example below shows the steps in selecting the proper surface mount package.

Assuming, the following conditions:

Vout=2.5V

Vin=3.3V

Vctrl=5V

Iout=2A DC Avg.

Calculate the maximum power dissipation using the following equation:

$$P_d = I_{out} \cdot (V_{in} - V_{out}) + (I_{out}/60) \cdot (V_{ctrl} - V_{out})$$

$$P_d = 2 \cdot (3.3 - 2.5) + (2/60) \cdot (5 - 2.5) = 1.68W$$

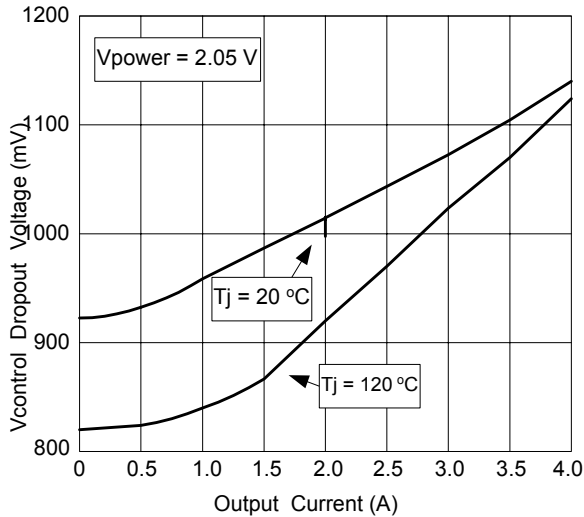
Using table below select the proper package and the amount of copper board needed.

Package	Copper Area	θ_{JA} (°C/W)	Max Pd (Ta=25°C)	Max Pd (Ta=45°C)
SOP8	2.0" X 2.0"	65	1.7W	1.4W
TO263	Pad Size-2"X2"	25-45	2.4W-4.4W	2.0W-3.6W

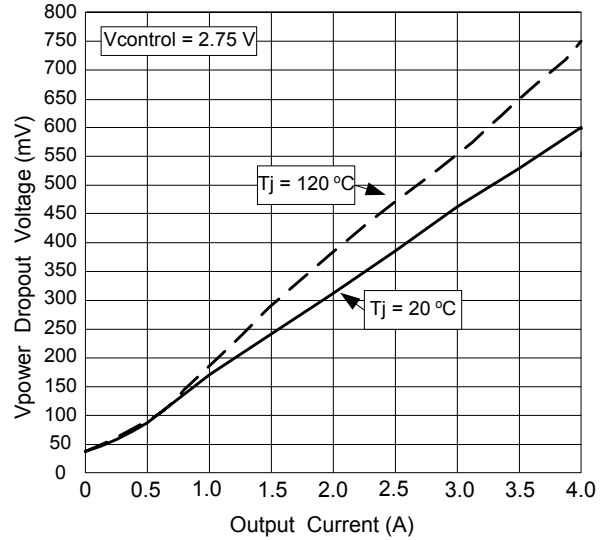
Note: Above table is based on the maximum junction temperature of 135°C.

As shown in the above table, any of the two packages will do the job. For low cost applications the SOP7 package is recommended.

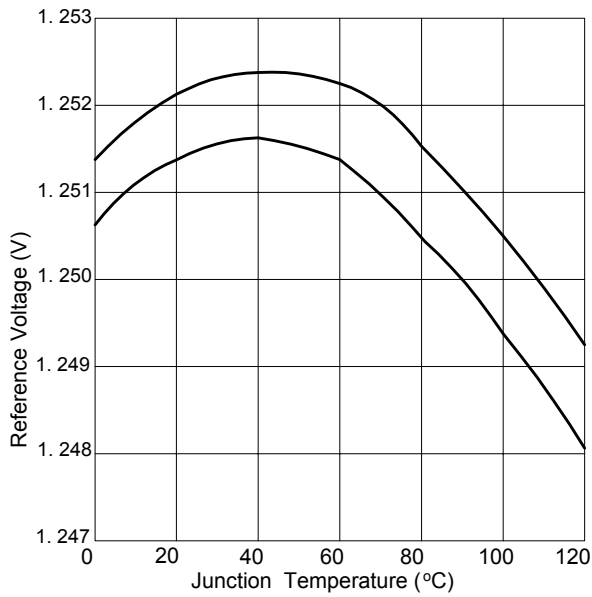
■ Performance Characteristic



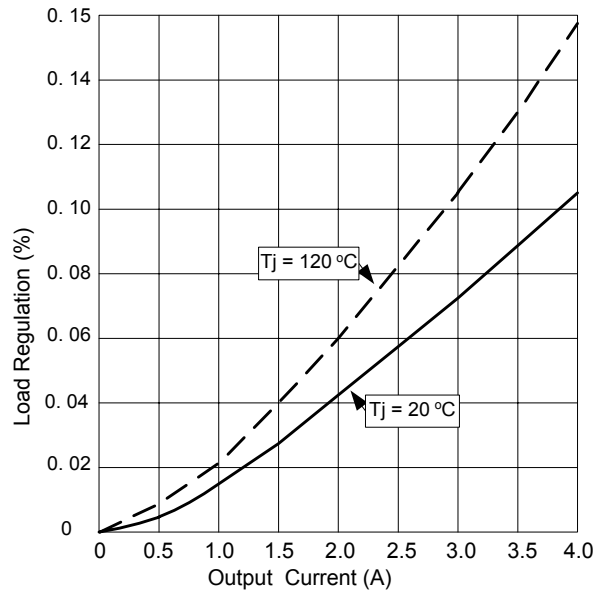
V_{control} Dropout Voltage vs Output Current



V_{power} Dropout Voltage vs Output Current

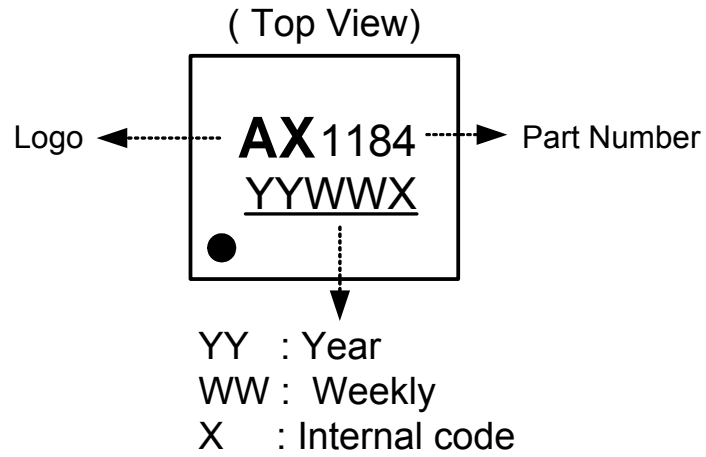


Reference Voltage vs Junction Temperature



Load Regulation vs Output Current

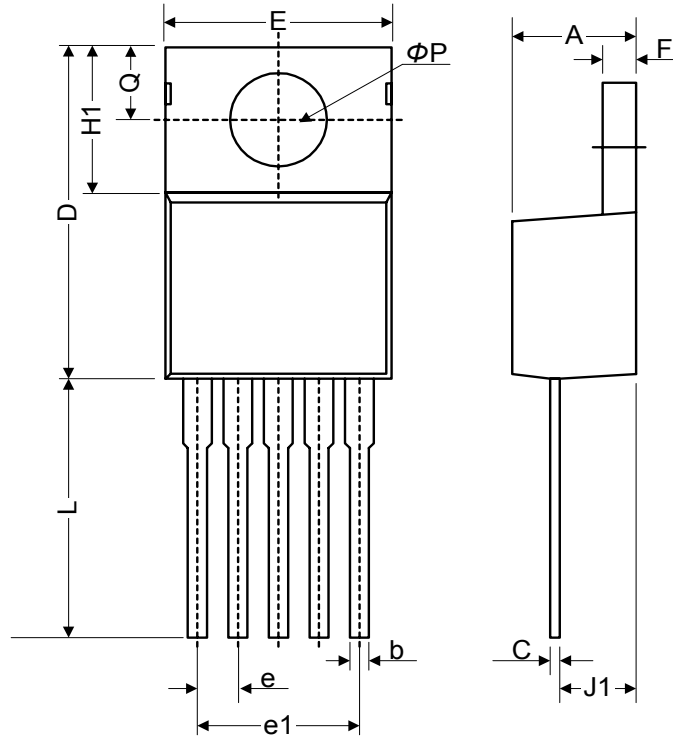
■ **Marking Information**



(SOP-8L / TO220-5L / TO263-5L)

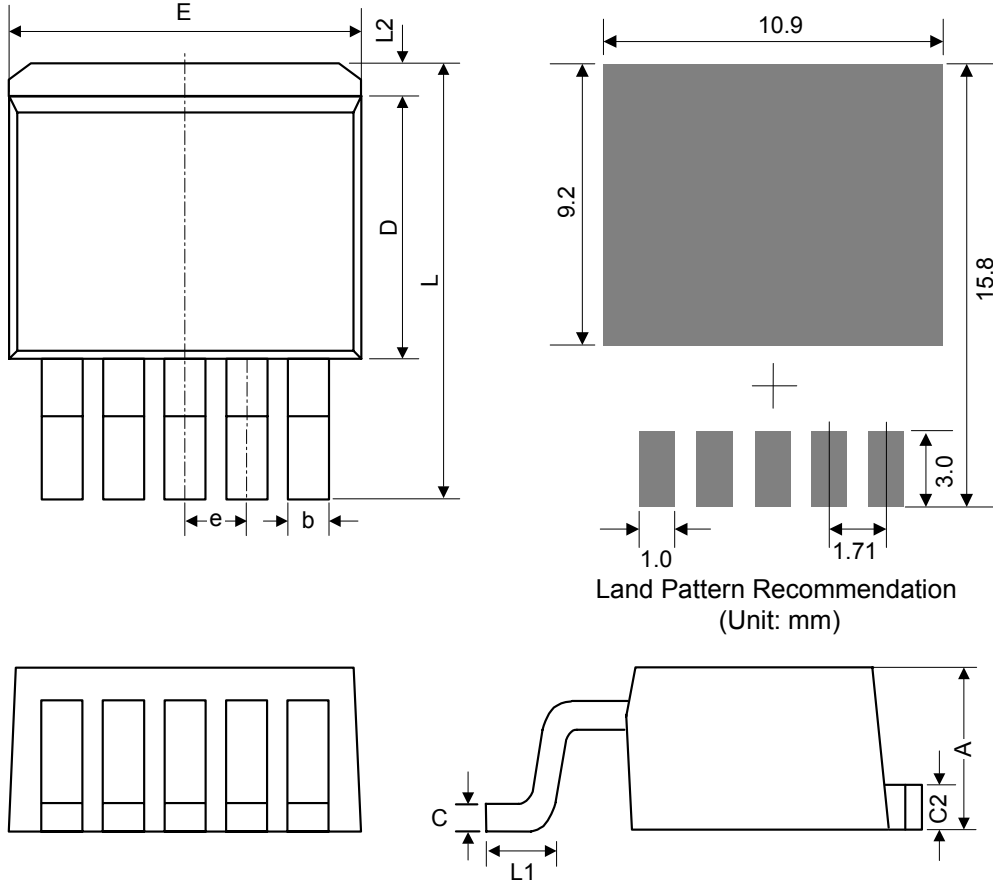
■ Package Outline

(1). Package Type: TO220-5L



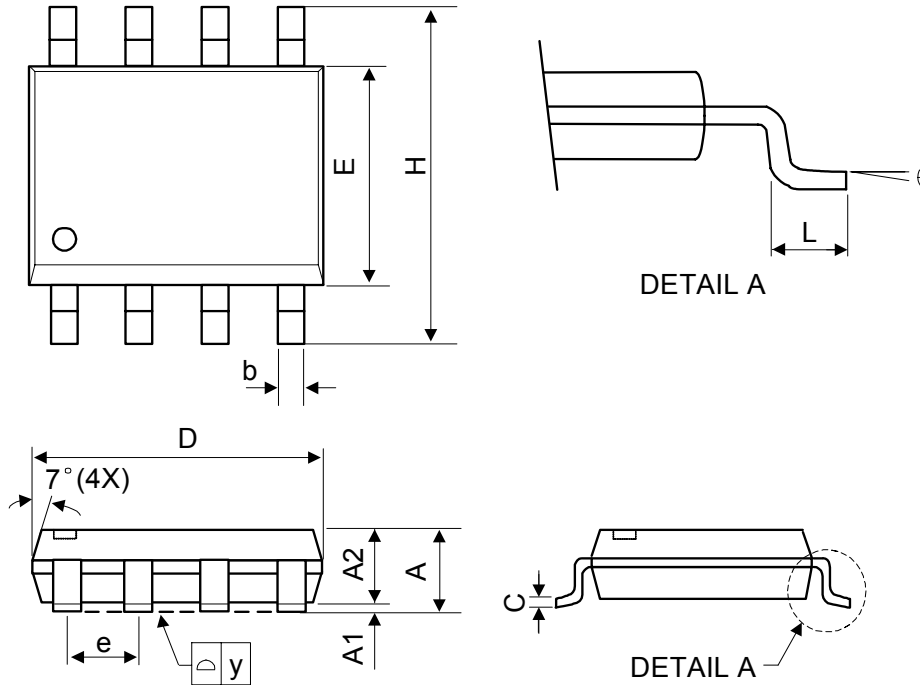
Symbol	Dimensions In Millimeters			Dimensions In Inches		
	Min.	Nom.	Max.	Min.	Nom.	Max.
A	4.07	4.45	4.82	0.160	0.175	0.190
b	0.76	0.89	1.02	0.030	0.035	0.040
C	0.36	0.50	0.64	0.014	0.020	0.025
D	14.22	14.86	15.50	0.560	0.585	0.610
E	9.78	10.16	10.54	0.385	0.400	0.415
e	1.57	1.71	1.85	0.062	0.067	0.073
e1	6.68	6.81	6.93	0.263	0.268	0.273
F	1.14	1.27	1.40	0.045	0.050	0.055
H1	5.46	6.16	6.86	0.215	0.243	0.270
J1	2.29	2.74	3.18	0.090	0.108	0.125
L	13.21	13.97	14.73	0.520	0.550	0.580
Øp	3.68	3.81	3.94	0.145	0.150	0.155
Q	2.54	2.73	2.92	0.100	0.107	0.115

(2). Package Type: TO263-5L



Symbol	Dimensions In Millimeters			Dimensions In Inches		
	Min.	Nom.	Max.	Min.	Nom.	Max.
A	4.07	4.45	4.83	0.160	0.175	0.190
b	0.66	0.81	0.97	0.026	0.032	0.038
C	0.36	0.50	0.64	0.014	0.020	0.025
C2	1.14	1.27	1.40	0.045	0.050	0.055
D	8.65	9.15	9.65	0.341	0.360	0.380
E	9.78	10.16	10.54	0.385	0.400	0.415
e	1.45	1.71	1.96	0.057	0.067	0.077
L	14.61	15.24	15.88	0.575	0.600	0.625
L1	2.29	2.54	2.79	0.090	0.100	0.110
L2	-	-	2.92	-	-	0.115

(3). Package Type: SOP-8L



Symbol	Dimensions In Millimeters			Dimensions In Inches		
	Min.	Nom.	Max.	Min.	Nom.	Max.
A	1.40	1.60	1.75	0.055	0.063	0.069
A1	0.10	-	0.25	0.040	-	0.100
A2	1.30	1.45	1.50	0.051	0.057	0.059
C	0.19	0.20	0.25	0.0075	0.008	0.010
D	4.80	4.90	5.00	0.189	0.193	0.197
E	3.80	3.90	4.00	0.150	0.154	0.157
H	5.79	5.99	6.20	0.228	0.236	0.244
L	0.38	0.71	1.27	0.015	0.028	0.050
b	0.33	0.41	0.51	0.013	0.016	0.020
e	1.27 TYP			0.050 TYP		
y	-	-	0.10	-	-	0.004
θ	0°	-	8°	0°	-	8°