

3A, 0.25V Feedback Voltage Step-Down Switching Regulators for LED Driver

❖ GENERAL DESCRIPTION

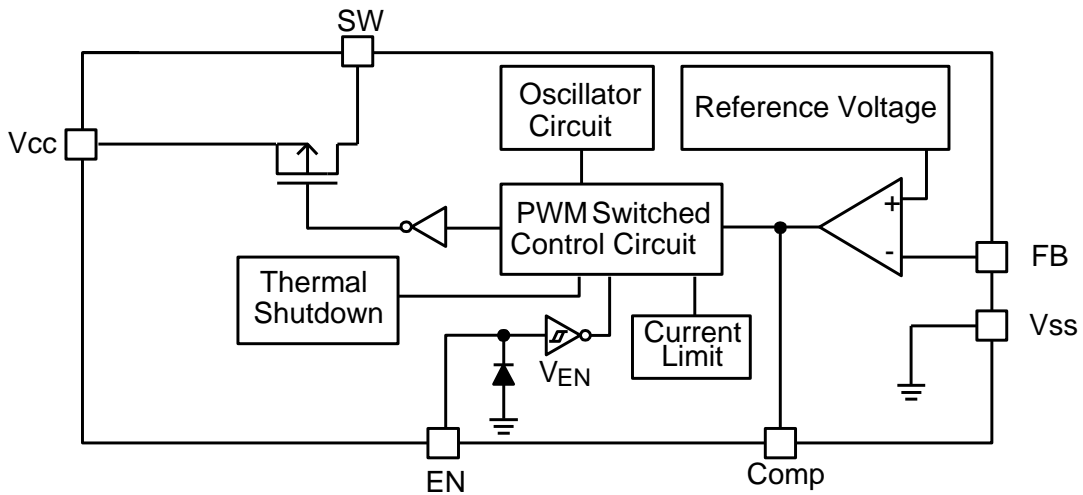
AX2003 consists of step-down switching regulator with PWM control. These device include a reference voltage source, oscillation circuit, error amplifier, internal PMOS and etc.

AX2003 provides low-ripple power, high efficiency, and excellent transient characteristics. The PWM control circuit is able to the duty ratio linearly from 0 up to 100%. An enable function, an over current protect function and short circuit protect function are built inside, and when OCP or SCP happens, the operation frequency will be reduced. Also, an internal compensation block is built in to minimum external component count.

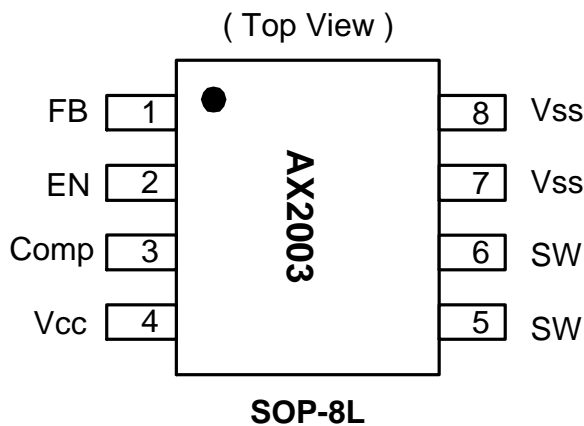
With the addition of an internal P-channel Power MOS, a coil, capacitors, and a diode connected externally, these ICs can function as step-down switching regulators. They serve as ideal power supply units for portable devices when coupled with the SOP-8L package, providing such outstanding features as low current consumption. Since this converter can accommodate an input voltage up to 23V, it is also suitable for the operation via an AC adapter.

❖ FEATURES

- Input voltage : 3.6V to 23V
- Output voltage : 0.25V to V_{CC}
- LED Backlight and High Power LED Application
- Duty ratio : 0% to 100% PWM control
- Oscillation frequency : 330KHz typ.
- Enable/Disable function.
- Current Limit (CL), Thermal Shutdown and Short Circuit Protections (SCP).
- Built-in internal SW P-channel MOS.
- Low ESR output capacitor (Multi-layer chip capacitor (MLCC)) application.
- SOP-8L Pb-Free package.
- RoHS and Halogen free compliance

❖ BLOCK DIAGRAM

❖ PIN ASSIGNMET

The package of AX2003 is SOP-8L; the pin assignment is given by:



Name	Description
FB	Feedback pin
EN	Power-off pin H : normal operation(Step-down) L : Step-down operation stopped (All circuits deactivated)
Comp	Compensation pin
V_{cc}	IC power supply pin
SW	Switch pin. Connect external inductor/diode here.
V_{ss}	GND pin

❖ ORDER/MARKING INFORMATION

Order Information	Top Marking
<p>AX2003 X X</p> <p>Package Type Packing S: SOP-8L Blank : Tube A : Taping</p>	<p>Logo ← AX 2 0 0 3 → Part number</p> <p> Y Y W W X → ID code: internal</p> <p> → WW: 01-52</p> <p> → Year: 18=2018 19=2019 20=2020 21=2021 22=2022 ⋮ 45=2045</p>

❖ ABSOLUTE MAXIMUM RATINGS (at $T_A=25^{\circ}\text{C}$)

Characteristics	Symbol	Rating	Unit
V _{CC} Pin Voltage	V _{CC}	V _{SS} - 0.3 to V _{SS} + 25	V
Feedback Pin Voltage	V _{FB}	V _{SS} - 0.3 to V _{CC}	V
ON/OFF Pin Voltage	V _{EN}	V _{SS} - 0.3 to V _{CC} + 0.3	V
Switch Pin Voltage	V _{SW}	V _{SS} - 0.3 to V _{CC} + 0.3	V
Power Dissipation	PD	Internally limited	mW
Storage Temperature Range	T _{ST}	-65 to +150	°C
Operating Junction Temperature Range	T _{OP}	-40 to +125	°C
Operating Supply Voltage	V _{OP}	+3.6 to +23	V
Thermal Resistance from Junction to case	θ_{JC}	60	°C/W
Thermal Resistance from Junction to ambient	θ_{JA}	120	°C/W

Note : θ_{JA} is measured with the PCB copper area(need connect to SW pins) of approximately 1 in²(Multi-layer).

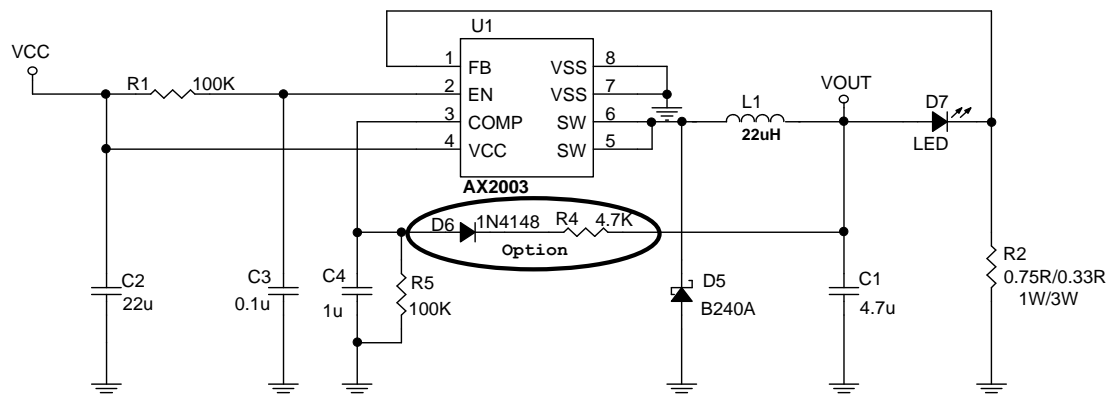
❖ ELECTRICAL CHARACTERISTICS

(V_{IN}=12V, T_A=25°C, unless otherwise specified)

Characteristics	Symbol	Conditions	Min	Typ	Max	Units	
Feedback Voltage	V _{FB}	I _{OUT} =0.2A	0.24	0.25	0.26	V	
Quiescent Current	I _{CCQ}	V _{FB} =1.2V force driver off	-	3	5	mA	
Feedback Bias Current	I _{FB}	I _{OUT} =0.1A	-	0.1	0.5	uA	
Shutdown Supply Current	I _{SD}	V _{EN} =0V	-	2	10	uA	
Switch Current	I _{SW}		4.0	-	-	A	
Line Regulation	$\Delta V_{OUT}/V_{OUT}$	V _{CC} =5V~23V, I _{OUT} =0.2A	-	1	2	%	
Load Regulation	$\Delta V_{OUT}/V_{OUT}$	I _{OUT} = 0.1 to 3A	-	0.2	0.5	%	
Oscillation Frequency	F _{OSC}		260	330	400	KHz	
EN Pin Logic input threshold voltage	V _{SH}	High (regulator ON)	2.0	-	-	V	
	V _{SL}	Low (regulator OFF)	-	-	0.8		
EN Pin Input Current	I _{SH}	V _{EN} =2.5V (ON)	-	20	-	uA	
	I _{SL}	V _{EN} =0.3V (OFF)	-	-10	-	uA	
Internal MOSFET R _{DS(ON)}	R _{DS(ON)}	V _{CC} =5V, V _{FB} =0V	-	90	140	mΩ	
		V _{CC} =12V, V _{FB} =0V	-	70	90		
Efficiency	EFFI	V _{OUT} = 5V	I _{OUT} = 2A	-	92	-	%
			I _{OUT} = 3A	-	91	-	
Thermal shutdown Temp	T _{SD}		-	150	-	°C	

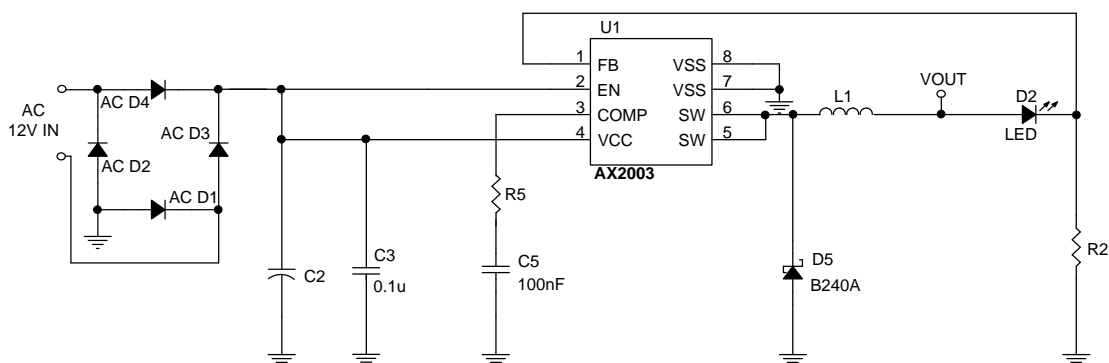
❖ APPLICATION CIRCUIT

A. 1W/3W LED*1 for MLCC



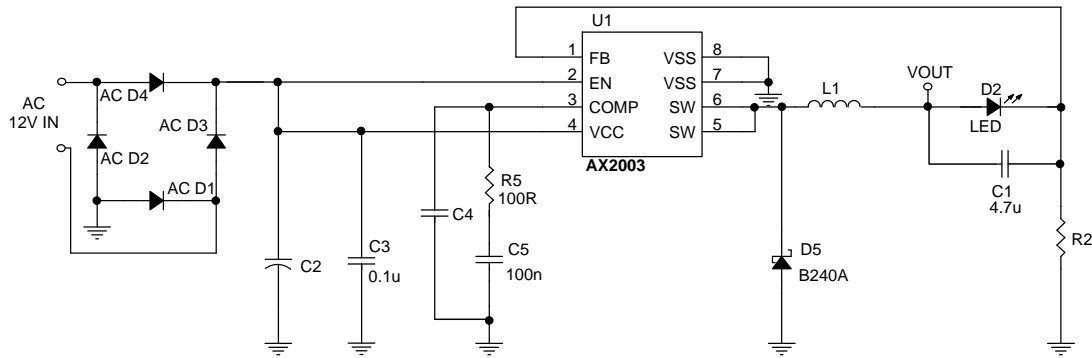
B. 1W/3W LED*1 for AC Input

(1) No Output Capacitor



I_{LED}	R2	C2	R5	L1
350mA	0.715Ω	87.5mW	100uF	0.22K
750mA	0.333Ω	189mW	220uF	0.47K
1000mA	0.250Ω	250mW	330uF	0.47K

(2) Add 4.7uF Output Capacitor



I_{LED}	R2		C2	C4	L1
350mA	0.715Ω	87.5mW	100uF	10nF	33uH
750mA	0.333Ω	189mW	220uF		
1000mA	0.250Ω	250mW	330uF		

❖ FUNCTION DESCRIPTIONS

PWM Control

The AX2003 consists of DC/DC converters that employ a pulse-width modulation (PWM) system. In converters of the AX2003, the pulse width varies in a range from 0 to 100%, according to the load current. The ripple voltage produced by the switching can easily be removed through a filter because the switching frequency remains constant. Therefore, these converters provide a low-ripple power over broad ranges of input voltage and load current.

Setting the I_{LED} Current

Application circuit item shows the basic application circuit with AX2003 adjustable output version. The external resistor sets the LED output current according to the following equation:

$$I_{LED} = \left(\frac{0.25V}{R2} \right)$$

Table 1 Resistor select for LED output current setting

I_{LED}	R2	
350mA	0.715Ω	87.5mW
750mA	0.333Ω	189mW
1000mA	0.250Ω	250mW

RDS (ON) Current Limiting

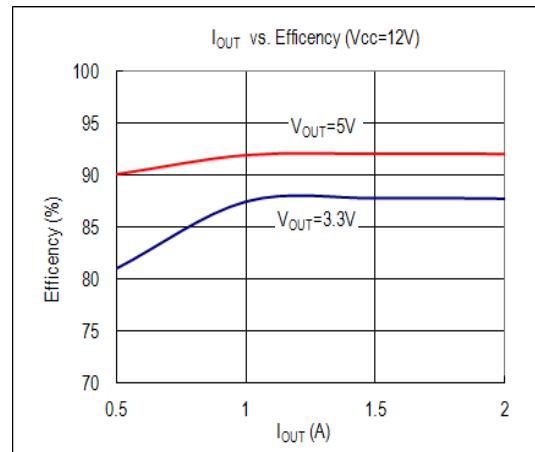
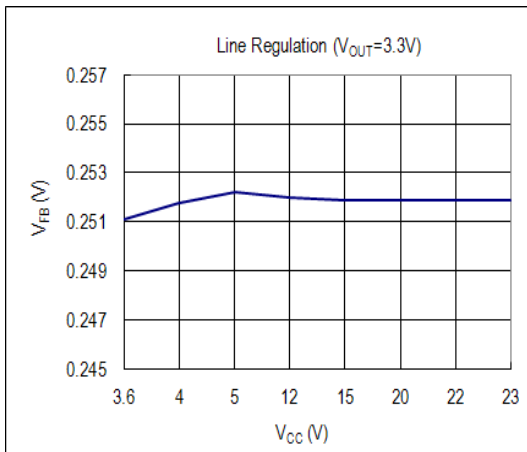
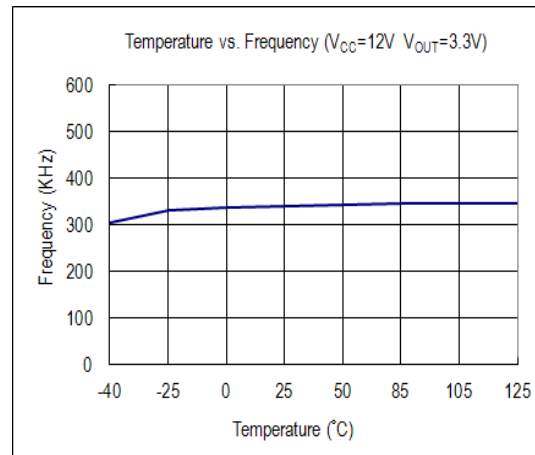
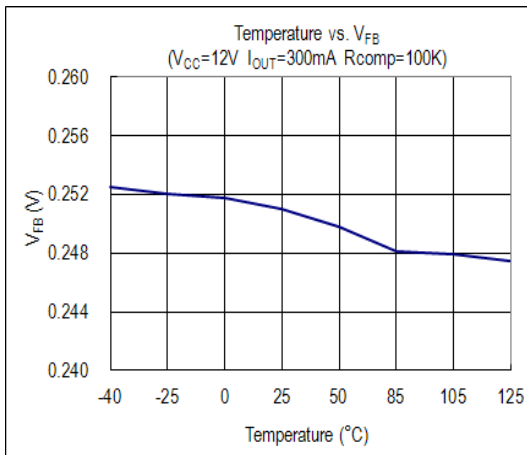
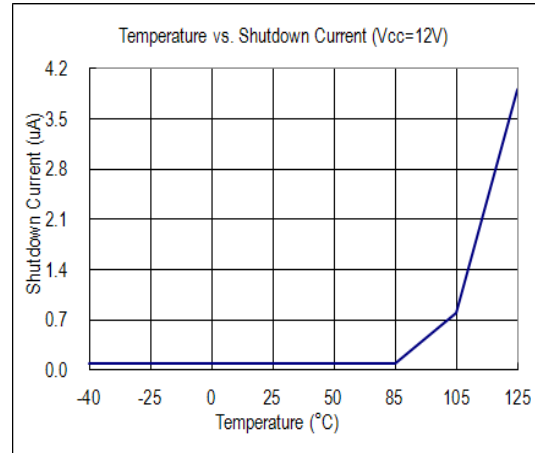
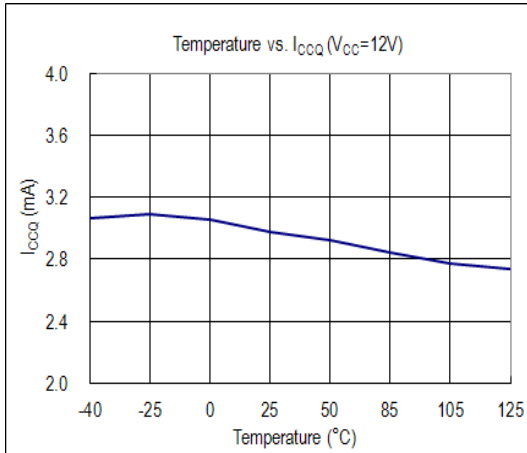
The current limit threshold is setting by the internal circuit.

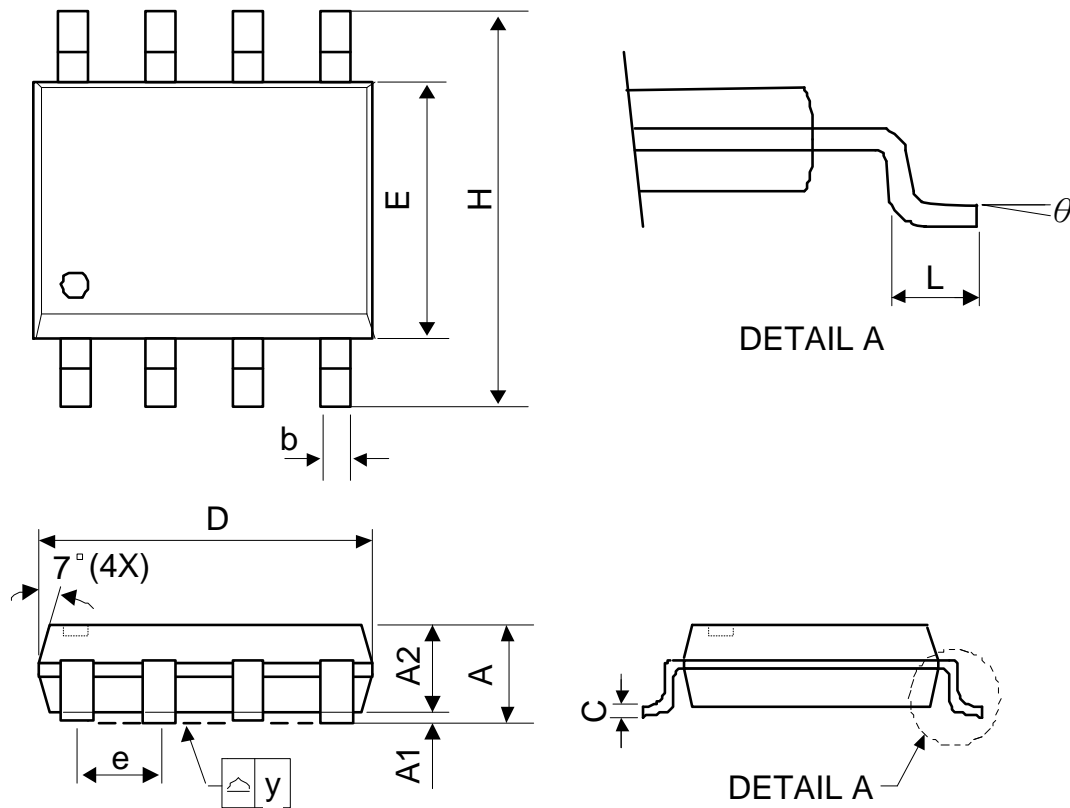
Compensation

Please refer the table of application circuit. For DC input, the option circuit for compensation is connecting R4 and a 4148 diode to V_{OUT} . In order to protect short circuit and thermal shutdown release for LED.

PCB layout guide

If you need low T_c and T_j or large PD (Power Dissipation), the dual SW pins (5&6) on the SOP-8L package are internally connected to die pad, The PCB layout should allow for maximum possible copper area at the SW pins of the AX2003.

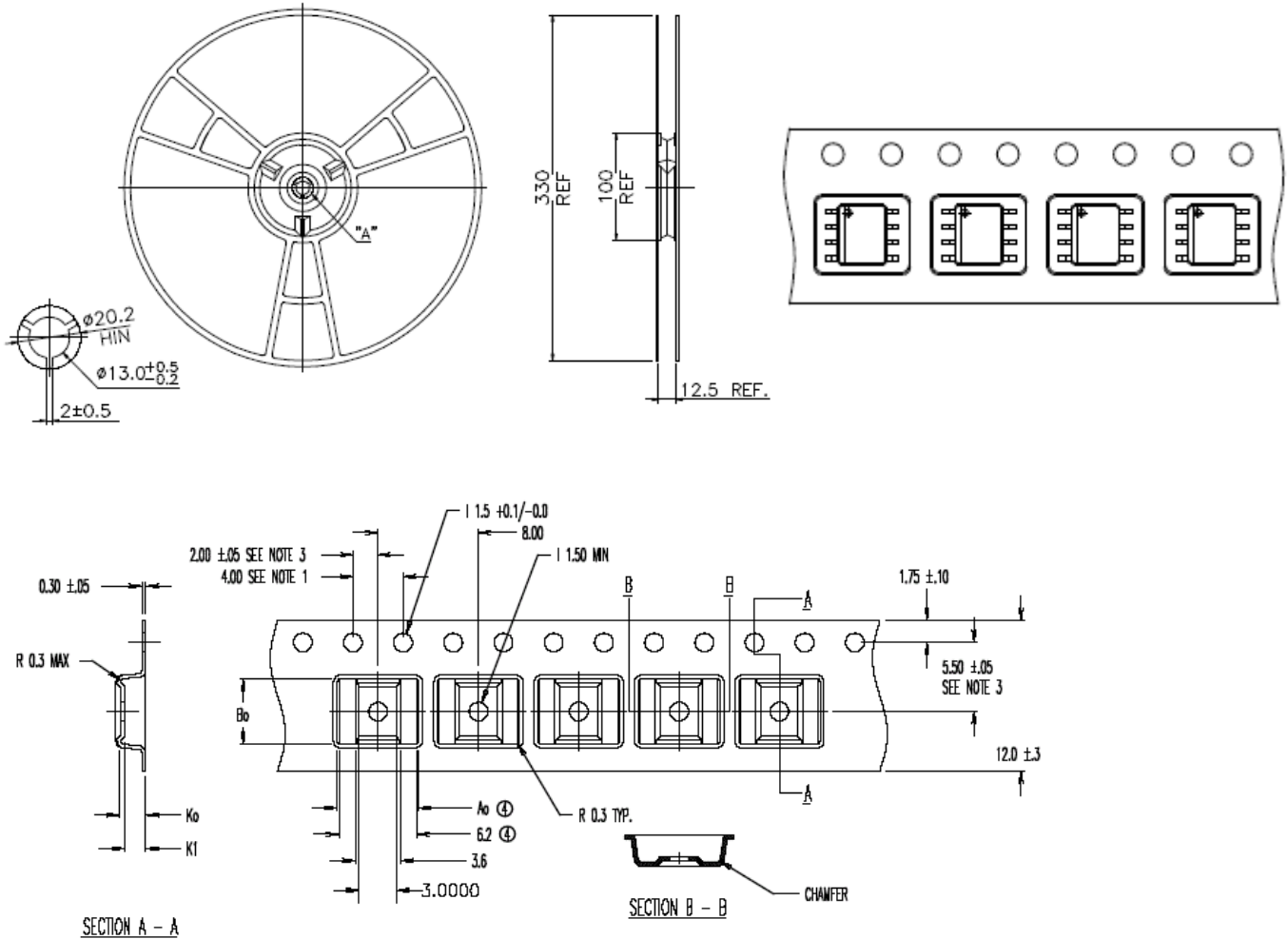
❖ TYPICAL CHARACTERISTICS


❖ PACKAGE OUTLINES


Symbol	Dimensions in Millimeters			Dimensions in Inches		
	Min.	Nom.	Max.	Min.	Nom.	Max.
A	-	-	1.75	-	-	0.069
A1	0.1	-	0.25	0.04	-	0.1
A2	1.25	-	-	0.049	-	-
C	0.1	0.2	0.25	0.0075	0.008	0.01
D	4.7	4.9	5.1	0.185	0.193	0.2
E	3.7	3.9	4.1	0.146	0.154	0.161
H	5.8	6	6.2	0.228	0.236	0.244
L	0.4	-	1.27	0.015	-	0.05
b	0.31	0.41	0.51	0.012	0.016	0.02
e	1.27 BSC			0.050 BSC		
y	-	-	0.1	-	-	0.004
θ	0°	-	8°	0°	-	8°

Mold flash shall not exceed 0.25mm per side

JEDEC outline: MS-012 AA

❖ Carrier tape dimension
SOP8L


$\text{\textcircled{4}}$ Ao = 6.50
 Bo = 5.20
 Ko = 2.10
 K1 = 1.70

Notes:

- 10 sprocket hole pitch cumulative tolerance $\pm 0.2\text{mm}$
- Camber not to exceed 1mm in 100mm.
- Material: Anti-Static Black Advantek Polystyrene.
- Ao and Bo measured on a plane 0.3mm above the bottom of the pocket.
- Ko measured from a plane on the inside bottom of the pocket to the top surface of the carrier.
- Pocket position relative to sprocket hole measured as true position of pocket, not pocket hole.