

## **1.2A PWM Buck DC/DC Converter**

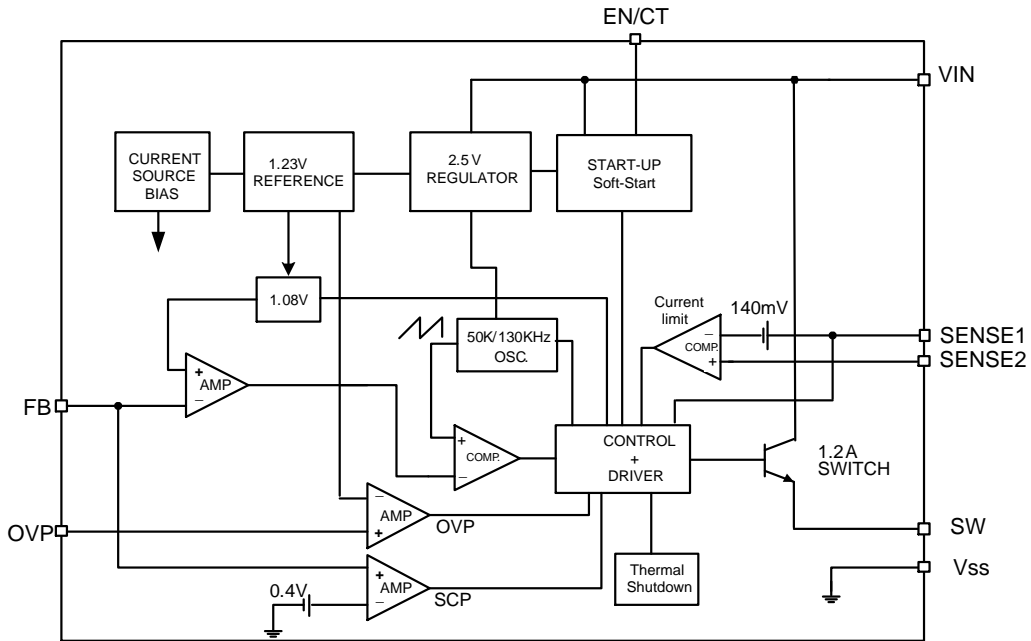
### ❖ GENERAL DESCRIPTION

The AX3016/A series are monolithic IC designed for a step-down DC/DC converter, and own the ability of driving a 1.2A load without additional transistor. It saves board space. The external shutdown function can be controlled by logic level and then come into standby mode. The outside compensation makes feedback control having good line and load regulation. Regarding protected function, thermal shutdown is to prevent over temperature operating from damage; current limit is against over current operating of the output switch that set by outside resistance. Current limit depends on  $R_{SENSE}$  value. The over voltage protection (OVP) that can avoid high  $V_{OUT}$  voltage to damage circuit and capacitor, the OVP voltage is set by outside resistances. The chip is available in SOP-8L-EP package which features small size as exposed pad to reduce the junction-to-case resistance.

### ❖ FEATURES

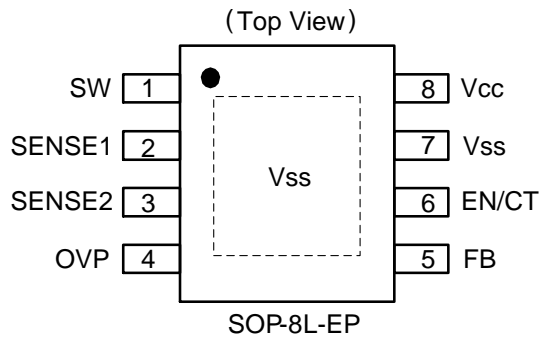
- Operating voltage can be up to 40V
- Adjustable version output voltage range form 3.3V to 30V.
- Output load current: 1.2A
- External OVP setting function
- Operating Frequency: 50KHz
- Current mode non-synchronous PWM converter
- Thermal-shutdown and current-limit protection.
- Shutdown and soft-start function.
- Short Circuit Protect (SCP)
- External current limit setting
- Under voltage Lockout
- SOP-8L-EP Pb-Free package
- Line-compensation

❖ **BLOCK DIAGRAM**



❖ **PIN ASSIGNMENT**

The package of AX3016/A is SOP-8L-EP; the pin assignment is given by:



Name	Description
<b>SW</b>	Switch pin. Connect external inductor and diode here
<b>SENSE1</b>	Current Sense input1
<b>SENSE2</b>	Current Sense input2
<b>OVP</b>	Over voltage detect pin
<b>FB</b>	Output voltage feedback control
<b>EN/CT</b>	Shutdown and auto restart control pin
<b>Vss</b>	GND pin
<b>Vcc</b>	Operating voltage input

❖ **ORDER/MARKING INFORMATION**

Order Information	Top Marking
<p><b>AX3016 X X X</b></p> <p>Frequency      Package Type      Packing                      Blank: 50KHz    ES: SOP-8L-EP    Blank : Tube                      A: 130KHz      A : Taping</p>	<p>Logo ← <b>AX3016</b> → Part number                      Y Y W W X → ID code: internal                      → WW: 01~52                      → Year: 10=2010                      11=2011</p>

### ❖ ABSOLUTE MAXIMUM RATINGS

Characteristics	Symbol	Rating	Unit
Maximum Supply Voltage	V <sub>CC</sub>	+45	V
EN/CT, OVP Pin Input Voltage		-0.3 to 6	V
Feedback Pin Voltage	V <sub>FB</sub>	-0.3 to 12	V
SW Pin Voltage	V <sub>SW</sub>	-0.3 to V <sub>CC</sub>	V
SENSE Pin Voltage	V <sub>SENSE1/2</sub>	-0.3 to 32	V
Power Dissipation Internally limited	PD	(T <sub>J</sub> -T <sub>A</sub> ) / θ <sub>JA</sub>	W
Storage Temperature Range	T <sub>ST</sub>	-65 to +150	°C
Operating Temperature Range	T <sub>OP</sub>	-40 to +125	°C
Operating Supply Voltage	V <sub>OP</sub>	8 to 40	V
Thermal Resistance from Junction to case	θ <sub>JC</sub>	15	°C/W
Thermal Resistance from Junction to ambient	θ <sub>JA</sub>	40	°C/W

Note: θ<sub>JA</sub> is measured with the PCB copper area (need connect to Exposed Pad) of approximately 1in<sup>2</sup> (Multi-layer).

### ❖ ELECTRICAL CHARACTERISTICS

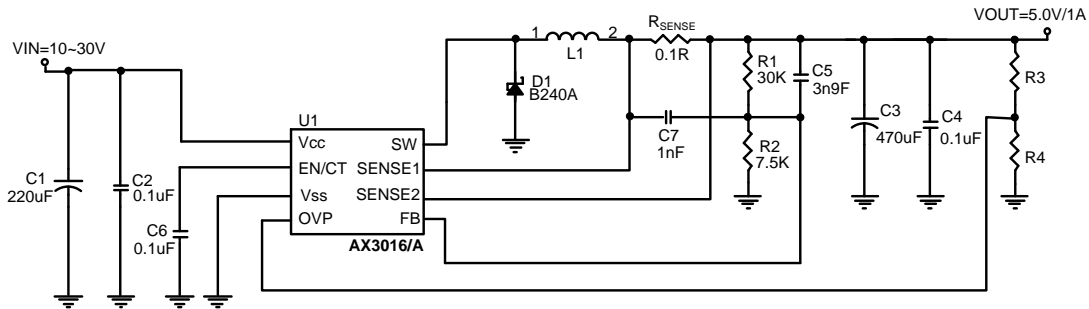
(Unless otherwise specified, T<sub>A</sub>=25°C, V<sub>IN</sub>=12V, V<sub>OUT</sub>=5V, I<sub>OUT</sub> = 0.2A)

Characteristics	Symbol	Conditions	Min	Typ	Max	Units	
Feedback Voltage	V <sub>FB</sub>	I <sub>OUT</sub> =10mA	1.058	1.080	1.102	V	
Under Voltage Lockout	U <sub>VLO</sub>	Falling	-	5	-	V	
UVLO Hysteresis			-	1	-	V	
OVP detect voltage	V <sub>OVP</sub>		1.193	1.230	1.267	V	
Feedback bias current	I <sub>FB</sub>	V <sub>FB</sub> =1.5V	-	-30	-	nA	
Line Regulation		V <sub>IN</sub> =10~30V, I <sub>OUT</sub> =10mA	-	0.5	1	%	
Load Regulation		I <sub>OUT</sub> =0~1A, V <sub>OUT</sub> =5V R <sub>SENSE</sub> =0.1Ω	+200	+250	+300	mV	
Quiescent Current	I <sub>CCQ</sub>	V <sub>FB</sub> =1.5V force driver off	-	5	8	mA	
Oscillator frequency	F <sub>OSC</sub>		35	50	65	KHz	
Max. Duty Cycle (ON)	DC	V <sub>FB</sub> =0.6V force driver on	-	100	-	%	
Min. Duty Cycle (OFF)		V <sub>FB</sub> =1.5V force driver off	-	0	-		
Saturation voltage	V <sub>SAT</sub>	No outside circuit V <sub>FB</sub> =0.8V force driver on	I <sub>OUT</sub> =1.2A	-	1.1	1.3	V
Sense Voltage	V <sub>SENSE</sub>	V <sub>SENSE1</sub> -V <sub>SENSE2</sub>	130	140	150	mV	

❖ ELECTRICAL CHARACTERISTICS (CONTINUED)

Sense Voltage Hysteresis		$V_{SENSE-h}$	-	50	-	mV	
SW pin=0V	SW Pin leakage current	$I_{SWL}$	No outside circuit	-	-	-200	uA
SW pin=-0.8V			$V_{FB}=1.5V$ force driver off	-	-5	-	mA
EN/CT pin logic input threshold voltage		$V_{EN1}$	Shutdown mode	-	-	0.3	V
		$V_{CT}$	Auto restart, $V_{FB}<0.40V$	0.5	-	1.5	
		$V_{EN2}$	Operating mode	1.6	-	-	
EN/CT pin current		$I_{EN/CT}$	Charge current	-	-30	-	uA
EN/CT pin current		$I_{EN/CT}$	Discharge current	-	1.3	-	uA
Thermal shutdown Temp		$T_{SD}$	-	160	-	°C	
Thermal Shutdown Hysteresis		$T_{SH}$	-	45	-	°C	

❖ APPLICATION CIRCUIT



$$V_{OUT} = V_{FB} \times \left(1 + \frac{R1}{R2}\right), V_{FB} = 1.08V, R2 = 5K \sim 15K$$

$$V_{OUT} (OVP) = V_{OVP} \times \left(1 + \frac{R3}{R4}\right), V_{FB} = 1.23V, R4 = 5K \sim 15K$$

❖ FUNCTION DESCRIPTIONS

**FB**

Sense the regulated output voltage to complete the feedback loop, when  $V_{FB} < 0.4V$ , the SCP is happened.

**SENSE1/2**

The current limit sense pin, if  $V_{SENSE1} - V_{SENSE2} \geq 140mV$ , the over current is happened that it can turn-off driver cycle by cycle.

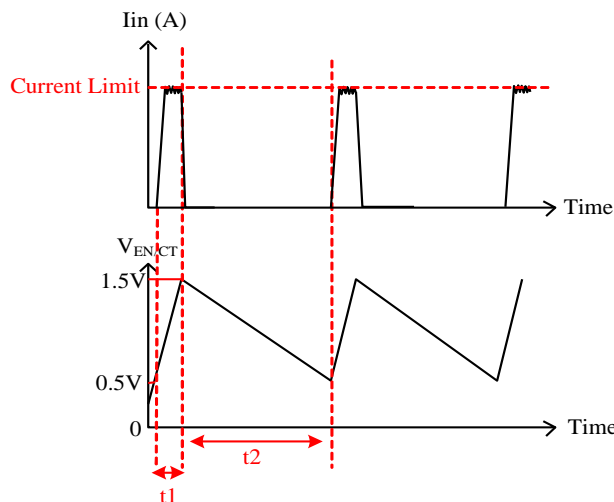
### OVP

The Over Voltage sense pin, If  $V_{OVP} > 1.23V$ , the OVP is happened that it can turn-off the driver. You can set  $V_{OUT}$  OVP voltage by outside resistances (R3 and R4), Please see below formula to set.

$$V_{OUT(OVP)} = 1.23 \times \left(1 + \frac{R3}{R4}\right)$$

### EN/CT

The pin is enable/shutdown and auto restart control functions. When system is normal operating, this pin is enable/shutdown function. Pulling this pin below a threshold voltage of under 0.4V shuts the regulator off, and pulling this pin from 0.5V to 1.5V turns the regulator on. However when  $V_{OUT}$  is short ( $V_{FB} < 0.4V$ ), the auto restart function can be started that restart the regulator cycle by cycle. The cycle time is set by outside capacitor (C6). Please refer the below waveform and formula, the t2 cycle is regulator off time and t1 cycle is current limit time. The charge-current is 30uA and discharge-current is 1.3uA.



$$t1 = C6 \times \frac{1}{30u} \text{ (Sec.)}$$

$$t2 = C6 \times \frac{1}{1.3u} \text{ (Sec.)}$$

### Under Voltage Lockout (UVLO)

To avoid mis-operation of the device at low input voltages an under voltage lockout is included that disables the device, if the input voltage falls below 6.0 V.

❖ **APPLICATION INFORMATION**

**Setting the Output Voltage**

Application circuit item shows the basic application circuit with adjustable output version. The external resistor sets the output voltage according to the following equation:

$$V_{OUT} = 1.08V \times \left(1 + \frac{R1}{R2}\right)$$

Table 1 Resistor select for output voltage setting

V <sub>OUT</sub>	R2	R1
5.0V	7.5K	30K

**Current Limit Protection**

The Current limit is set by outside resistance (R<sub>SENSE</sub>), When the SENSE1-SENSE2 voltage larger than 140mV, the current limit is happened that driver can be turned off until the drop is small than 90mV. The current limit set according to the following equation:

$$\text{CurrentLimit(A)} = \frac{140m + (140 - 50)m}{2 \times R_{SENSE}}$$

The maximum output current table is shown as below; please refer the table to design.

RSENSE (Ω)	Current Limit (A)
100m	1.5
150m	0.77

**Inductor Selection**

For most designs, the different frequency can be reducing the inductor value; The AX3016 is suggested 100μH to 120μH for 50K frequencies. Please refer the below table to design.

L1 recommend value (V <sub>IN</sub> =10~30V, V <sub>OUT</sub> =5V, I <sub>OUT</sub> =1A)	
Version	AX3016
L1 Value (H)	100u~120u

Where is inductor Ripple Current. Large value inductors lower ripple current and small value inductors result in high ripple currents. Choose inductor ripple current approximately 20% of the maximum load current 1.2A, Δ<sub>L</sub>=0.24A. The DC current rating of the inductor should be at least equal to the maximum load current plus half the ripple current to prevent core saturation (1.2A+0.12A).

## Line Compensation

The function is designed in order to compensate the output line loss, especially in heavy load. The AX3016/B's load regulation is positive; the  $V_{OUT}$  voltage can be raised by output current. For example,  $V_{OUT}=5V$  in  $I_{OUT}=0A$ , When  $I_{OUT}$  increase to 1A, the  $V_{OUT}$  can be rise to about 5.25V typically.

## Input Capacitor Selection

This capacitor should be located close to the IC using short leads and the voltage rating should be approximately 1.5 times the maximum input voltage. The RMS current rating requirement for the input capacitor of a buck regulator is approximately 1/2 the DC load current. A low ESR input capacitor sized for maximum RMS current must be used. A 470 $\mu$ F low ESR capacitor for most applications is sufficient.

## Output Capacitor Selection

The output capacitor is required to filter the output and provide regulator loop stability. The important capacitor parameters are; the 100 KHz Equivalent Series Resistance (ESR), the RMS ripples current rating, voltage rating, and capacitance value. For the output capacitor, the ESR value is the most important parameter. The ESR can be calculated from the following formula.

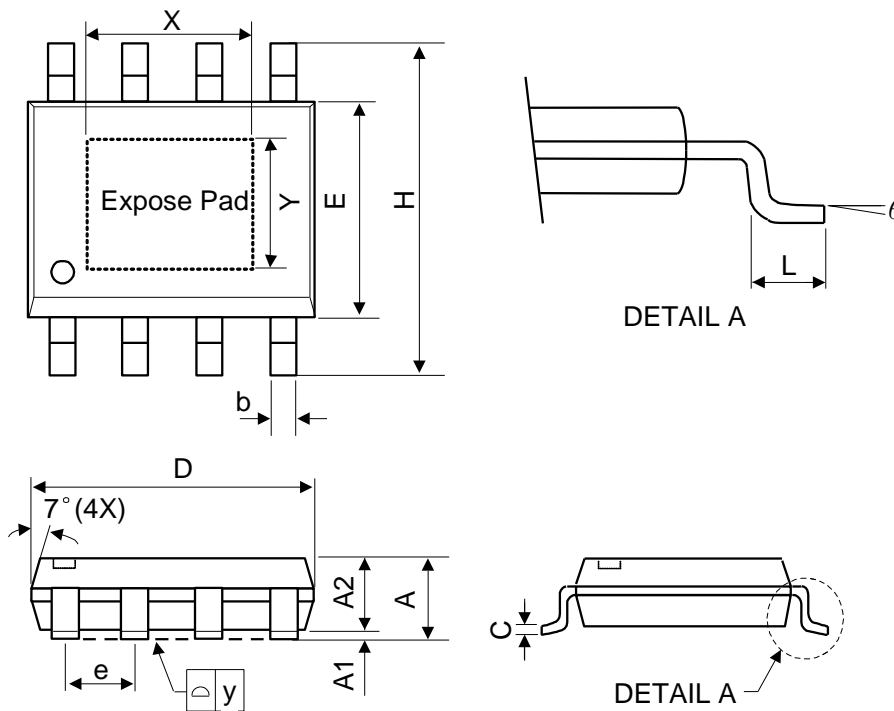
$$V_{RIPPLE} = \Delta I_L \times ESR = 0.24A \times 80m\Omega = 19.2mV$$

An aluminum electrolytic capacitor's ESR value is related to the capacitance and its voltage rating. In most case, higher voltage electrolytic capacitors have lower ESR values. Most of the time, capacitors with much higher voltage ratings may be needed to provide the low ESR values required for low output ripple voltage. System stability is depending on output capacitor's ESR, Correct to choose output capacitor's ESR is very important. It is recommended to using a 220~470 $\mu$ F, the ESR values range is 40~130m $\Omega$ .

## Thermal Considerations

The SOP-8L-EP package needs a heat sink under most conditions. The heat sink connect exposed pad of AX3016 to obtain best effect. The size of the heat sink depends on the input voltage, the output voltage, the load current and the ambient temperature.

❖ PACKAGE OUTLINES



Symbol	Dimensions in Millimeters			Dimensions in Inches		
	Min.	Nom.	Max.	Min.	Nom.	Max.
A	-	-	1.75	-	-	0.069
A1	0	-	0.15	0	-	0.06
A2	1.25	-	-	0.049	-	-
C	0.1	0.2	0.25	0.0075	0.008	0.01
D	4.7	4.9	5.1	0.185	0.193	0.2
E	3.7	3.9	4.1	0.146	0.154	0.161
H	5.8	6	6.2	0.228	0.236	0.244
L	0.4	-	1.27	0.015	-	0.05
b	0.31	0.41	0.51	0.012	0.016	0.02
e	1.27 BSC			0.050 BSC		
y	-	-	0.1	-	-	0.004
X	-	2.34	-	-	0.092	-
Y	-	2.34	-	-	0.092	-
θ	0°	-	8°	0°	-	8°

Mold flash shall not exceed 0.25mm per side  
JEDEC outline: MS-012 BA