

### GENERAL DESCRIPTION

The PT2208 is a high performance AC/DC power supply controller which integrates a 730V power switch. PT2208 is targeted to 5-7W designed for flyback topology, and regulates output current/voltage without the secondary feedback loop. The ultra-low operating current at light load ensures that the PT2208 is ideal for applications targeting the newest regulatory standards for average efficiency and standby power.

The PT2208 integrates line and primary inductance compensation and ensures output current free of line voltage and primary inductance variation. The output cable compensation is intergrated. The output regulation can be controlled within 3% using proprietary compensation technology.

The PT2208 integrated HV MOS and Cycle by Cycle Current Limit, VDD UV protection, OVP protection and Voltage Clamp to improve reliability. The PT2208 is available in a SOP8 package.

### FEATURES

- High Constant Current/Voltage Accuracy (+/-3%)
- frequency jittering(+/-4%)
- Integrated primary inductance compensation
- Internal output cable c compensation
- Leading edge blanking function
- High Voltage startup circuit
- Cycle by Cycle Current Limit
- VDD OVP Protection
- Standby Power less than 120mW@220Vac
- Output short Protection

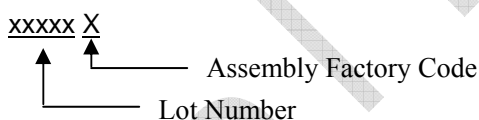
### APPLICATIONS

- AC/DC LED lighting
- AC-DC RCC chargers replacement
- Power Adapters and Battery Chargers
- Standby and Auxiliary Suppliers

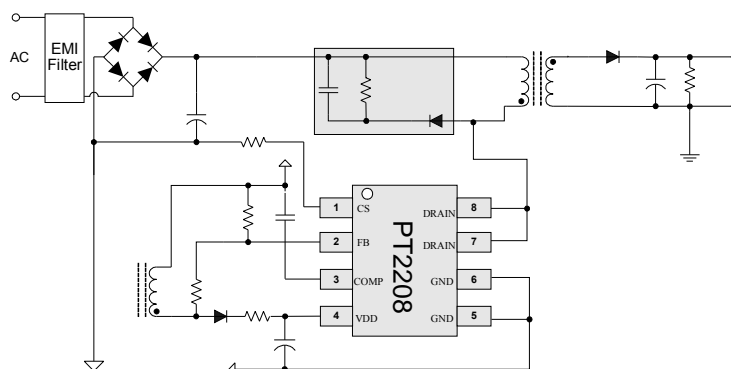
### ORDERING INFORMATION

PACKAGE	TEMPERATURE RANGE	ORDERING PART NUMBER	TRANSPORT MEDIA	MARKING
SOP8	-20°C to +85°C	PT2208ESOH	2500 Tape and Reel	PT2208 xxxxxX

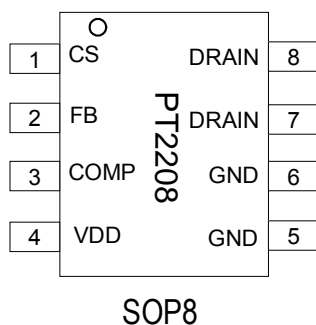
Note:



### TYPICAL APPLICATION CIRCUIT



### PIN ASSIGNMENT



### PIN DESCRIPTIONS

PIN No.	PIN NAMES	DESCRIPTION
1	CS	Primary winding current sensing pin
2	FB	Voltage Feedback
3	COMP	Compensation pin for constant voltage control loop
4	VDD	Power supply.
5	GND	Ground
6	GND	Ground
7	DRAIN	This pin is connected with an internal power switch drain .
8	DRAIN	This pin is connected with an internal power switch drain .

### ABSOLUTE MAXIMUM RATINGS (note1)

SYM	PARAMETER	VALUE	UNIT
V <sub>DS(max)</sub>	DRAIN Max Voltage	-0.3~730	V
V <sub>DD</sub>	IC Supply Voltage	-0.3~34	V
I <sub>DD_Clamp</sub>	V <sub>DD</sub> DC Clamp Current	10	mA
V <sub>FB</sub>	FB Pin Voltage Range	-0.3~7	V
V <sub>COMP</sub>	COMP Pin Voltage Range	-0.3~7	V
V <sub>CS</sub>	CS Pin Voltage Range	-0.3~7	V
T <sub>A</sub>	Operating Temp. Range	-20 to 85	°C
T <sub>STG</sub>	Storage Temp. Range	-40 to 150	°C
R <sub>ΘJA</sub>	SOP8	65	°C/W
HBM	ESD Capability, HBM (note2)	4000	V