

GENERAL DESCRIPTION

The PT5305 is a filter-free class D audio power amplifier designed for portable communication device applications. It is capable of delivering 1.4 watt to an 8Ω load with less than 10% distortion (THD+N) from a 5V power supply.

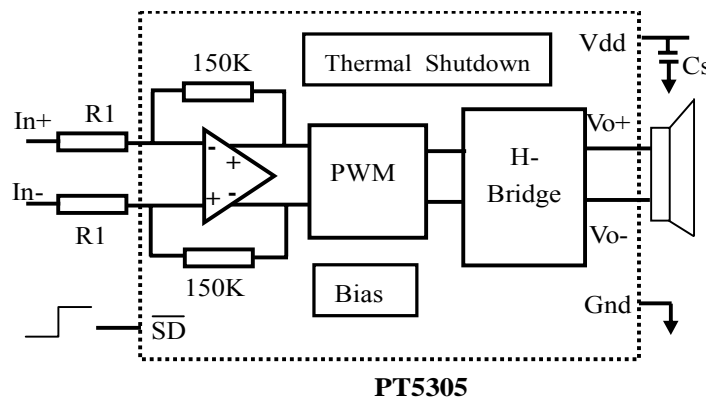
FEATURES

- 1.4W Into 8 Ω from a 5V supply at THD=10% (Typ)
- High Efficiency: 84% at 400mW, 5V power supply and 8Ω speaker
- 75dB PSRR at 217Hz
- 2mA Quiescent Current
- 0.5uA Shutdown Current
- advanced pop & click circuitry
- over current limiter
- thermal overload protection
- low power shutdown mode
- Only Three External Components
- Wide Supply Voltage (2.5V to 5.5V)
- Space Saving Packages 3mm*3mm QFN package and 8-pin MSOP package

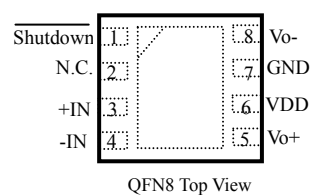
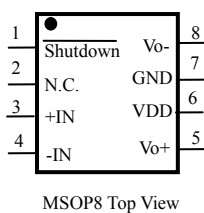
APPLICATIONS

- Cell Phones
- Handheld Computers and PDAs
- Portable electronic device

TYPICAL APPLICATIONS



PIN ASSIGNMENT



PIN DESCRIPTIONS

Pin Names		Description	
MSOP	QFN		
1	1	<i>ShoutDown</i>	Shutdown terminal
2	2	NC	No internal connection
3	3	IN+	Positive differential input
4	4	IN-	Negative differential input
5	5	V _{O+}	Positive BTL output
6	6	Vdd	Power supply
7	7	Gnd	Ground
8	8	V _{O-}	Negative BTL output

ABSOLUTE MAXIMUM RATINGS

SYMBOL	ITEMS	VALUE	UNIT
V _{dd}	Supply Voltage	-0.3~6	V
V _{in}	Input Voltage	-0.3~ V _{dd} +0.3	V
T _A	Operating free-air temperature	-40 to 85	°C
T _J	Operating junction temperature	-40 to 150	°C
T _{stg}	Storage Temperature	-55 to 150	°C
T _{solder}	Package Lead Soldering Temperature	260°C, 10s	

OPERATING RANGE

Symbol	items		Unit
V _{dd}	Supply voltage	2.5 ~ 5.5	V
V _{IH}	<i>ShoutDown</i>	2 ~ V _{dd}	V
V _{IL}	<i>ShoutDown</i>	0 ~ 0.8	V
R _I	Input resistor	15	KΩ
V _{IC}	Common mode input voltage rang	0.5 ~ V _{dd} -0.8	V
T _A	Operating free-air temperature	-40 to 85	°C

ELECTRICAL CHARACTERISTICS

T_A=25°C unless specified otherwise.

SYMBOL	ITEMS	CONDITIONS	Min.	Typ.	Max.	UNIT
V _{OS}	Output offset voltage	V _I =0, V _{dd} =2.5 to 5.5V			25	mV
PSRR	Power supply rejection ratio	V _{dd} =2.5 to 5.5V		-75	-55	dB
CMRR	Common mode rejection ratio	V _{dd} =2.5 to 5.5V, V _{IC} =0.5 to V _{dd} -0.8V		-68	-49	dB
I _{IH}	High-level input current	V _{dd} =5.5V, V _I =5.8V			50	uA
I _{IL}	Low-level input current	V _{dd} =5.5V, V _I =0.3V			50	uA
I(Q)	Quiescent current	V _{dd} =5.5V, no load			1.6	mA
		V _{dd} =3.6V, no load			1.4	mA
		V _{dd} =2.5V, no load			1.2	mA
I _(SD)	Shutdown current	V(<i>ShoutDown</i>)=0.8V, V _{dd} =2.5 to 5.5V		0.2	1	uA
R _{out}	Output impedance in <i>ShoutDown</i>	V(<i>ShoutDown</i>)=0.8V		>1		KΩ
f _(SW)	Switching frequency	V _{dd} =2.5 to 5.5V	200	250	300	KHz
Gain	Gain		$2 \times \frac{142 K\Omega}{R_I}$	$2 \times \frac{150 K\Omega}{R_I}$	$2 \times \frac{158 K\Omega}{R_I}$	V/V

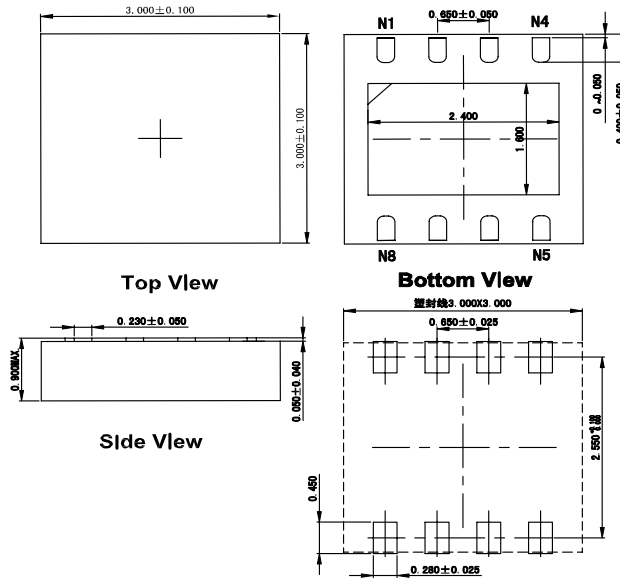
OPERATING CHARACTERISTICS

T_A=25°C unless specified otherwise.

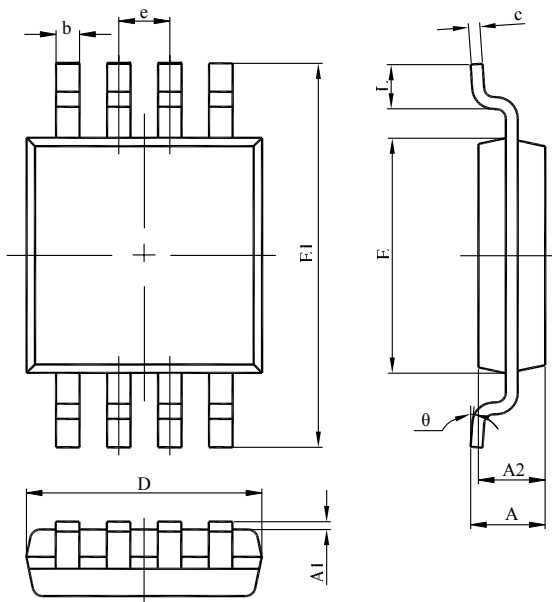
SYMBOL	ITEMS	CONDITIONS	Min.	Typ.	Max.	UNIT
P _o	Output power	THD+N=10%, f=1KHz, R _L =8Ω	V _{dd} =5V	1.40		W
			V _{dd} =3.6V	0.65		
			V _{dd} =2.5V	0.50		
		THD+N=1%, f=1KHz, R _L =8Ω	V _{dd} =5V	1.16		
			V _{dd} =3.6V	0.60		
			V _{dd} =2.5V	0.27		
THD+N	Total harmonic distortion plus noise	P _O =1W, f=1KHz, R _L =8Ω	V _{dd} =5V	0.15%		
		P _O =0.5W, f=1KHz, R _L =8Ω	V _{dd} =3.6V	0.23%		
		P _O =0.2W, f=1KHz, R _L =8Ω	V _{dd} =2.5V	0.34%		
PSRR	Power supply rejection ratio	V _{dd} =2.5 to 5.5V		-75	-55	dB
CMRR	Common mode rejection ratio	V _{dd} =2.5 to 5.5V, V _{IC} =0.5 to V _{dd} -0.8V		-68	-49	dB
	Start-up time from shutdown			4		ms

PACKAGE INFORMATION

QFN8 Package



MSOP8 Package



Symbol	Millimeters		Inches	
	Min	Max	Min	Min
A	0.820	1.100	0.032	0.043
A1	0.020	0.150	0.001	0.006
A2	0.750	0.950	0.030	0.037
b	0.250	0.380	0.010	0.015
c	0.090	0.230	0.004	0.009
D	2.900	3.100	0.114	0.122
e	0.650(BSC)		0.026(BSC)	
E	2.900	3.100	0.114	0.122
E1	4.750	5.050	0.187	0.199
L	0.400	0.800	0.016	0.031
θ	0°	6°	0°	6°