

5A, 36V, Step-Down Converter



General Description

The FP6151 is a buck regulator with a built in internal power MOSFET. It achieves 5A continuous output current over a wide input supply range with excellent load and line regulation. Current mode operation provides fast transient response and eases loop stabilization. A wide switching frequency range allows efficiency and external component size to be optimized. The device includes under voltage lockout and thermal shutdown protection. The regulator only consumes 10 μ A supply current in shutdown mode. The FP6151 requires a minimum number of readily available external components to complete a 5A buck regulator solution.

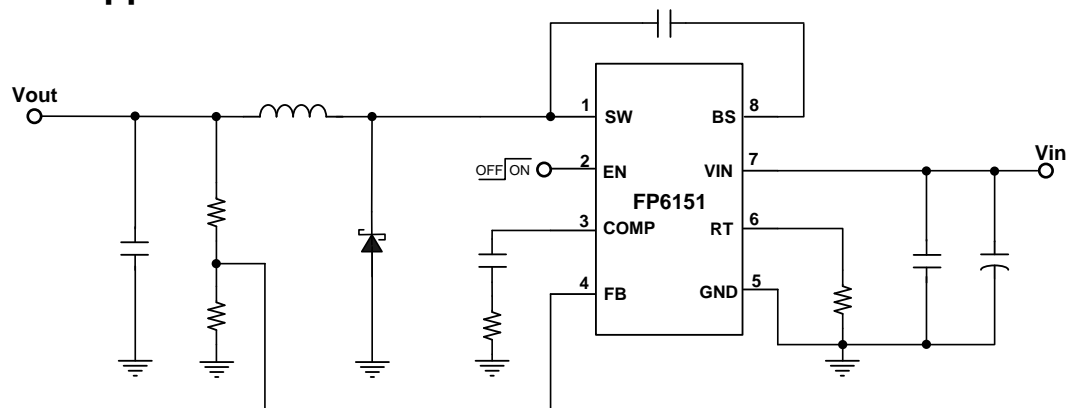
Features

- Operating Input Range up to 36V
- 5A Output Current
- Built-in Soft-Start
- 65m Ω Internal Power MOSFET Switch
- Up to 90% Efficiency
- 10 μ A Shutdown Mode Current
- Adjustable Switching Frequency using external Resistance setting
- Thermal Shutdown
- Under Voltage Lockout
- Available SOP8 With Exposed PAD

Applications

- Automotive Distributed Power Systems
- Battery Charger
- Pre-Regulator for Linear Regulators

Typical Application Circuit



This datasheet contains new product information. Feeling Technology reserves the rights to modify the product specification without notice. No liability is assumed as a result of the use of this product. No rights under any patent accompany the sales of the product.