

## Non-Synchronous PWM Boost Converter



### General Description

The FP6288 is a boost topology switching regulator for wide operating voltage applications. Its built-in 20 mΩ power MOSFET makes this regulator highly power efficient. The non-inverting input of error amplifier connects to a 0.6V precision reference voltage. The FP6288 has internal soft start and programmable over current protection set by external resistor.

The FP6288 is available in the small footprint SOP-8L(EP) package to fit in space-saving PCB layout for miscellaneous application fields.

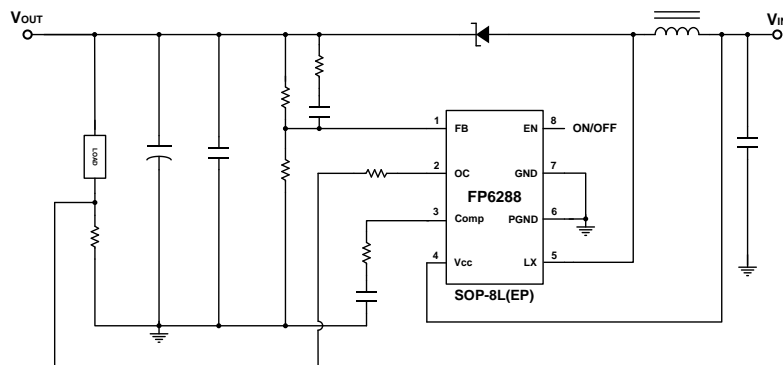
### Features

- Wide Supply Voltage Operating Range: 2.4 to 5.5V
- Precision Feedback Reference Voltage: 0.6V (±2%)
- Shutdown Current: <1μA
- Internal Fixed PWM frequency: 350KHz
- Internal Soft Start Function :7ms (SS)
- Over Current Protection Function (OCP)
- Over Voltage Protection
- Package: SOP-8L(EP)
- Duty Cycle: PWM Switching Control Circuit (15%~90%)

### Applications

- Chargers
- LCD Displays
- Digital Cameras
- Handheld Devices
- Portable Products

### Typical Application Circuit



This datasheet contains new product information. Feeling Technology reserves the rights to modify the product specification without notice. No liability is assumed as a result of the use of this product. No rights under any patent accompany the sales of the product.