

## Non-Synchronous PWM Boost Converter for LED Driver



### General Description

The FP7218 is a boost topology switching regulators for LED driver. Its built-in 80mΩ power MOSFET makes this regulator highly power efficient. The non-inverting input of error amplifier connects to a default 0.104V reference voltage. It has programmable soft start time set by external capacitor, and over voltage protection set by external resistor. The LED current can be adjusted by an external signal connecting to the EN pin. EN pin accepts either a DC voltage or a PWM signal. The PWM signal filter components are contained within the chip.

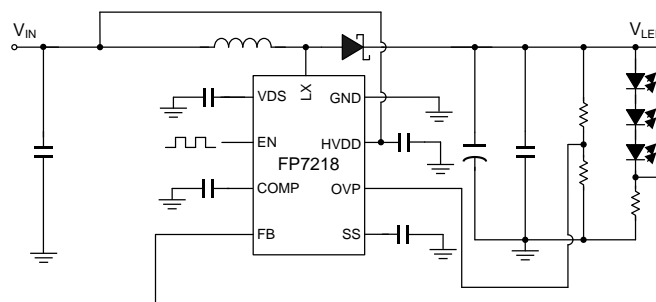
### Features

- Wide Supply Voltage Operating Range: 2.5V to 24V
- Precision Feedback Reference Voltage: 0.104V (Default)
- Analog and Digital Dimming Control
- Shutdown Current: 6μA (Max.)
- Internal Fixed Switching Frequency: 300KHz
- Programmable Soft Start Function (SS)
- Programmable Over Voltage Protection (OVP)
- Over Temperature Protection (OTP)
- MOSFET: 100V/3A/80mΩ
- LED Voltage up to 75V
- Package: SOP-8L(EP)

### Applications

- LED Module
- Display Backlight
- Car Lighting
- Portable LED Lighting

### Typical Application Circuit



This datasheet contains new product information. Feeling Technology reserves the rights to modify the product specification without notice. No liability is assumed as a result of the use of this product. No rights under any patent accompany the sales of the product.