

GENERAL DESCRIPTION

The PT4131 is a small package, high performance step-up DC/DC controller designed for LCD monitor and LCD TV backlighting application.

Because the PT4131 directly regulates output current, it is ideal for driving LEDs whose light intensity is proportional to the current passing through them, instead of the voltage across their terminals. A single external resistor sets the LED current, which can then be easily adjusted using either a DC voltage or a pulse width modulated (PWM) signal from 100Hz to 1000Hz. The PT4131 offers comprehensive protection such as power MOSFET over current protection (OCP), output over voltage protection (OVP), IC power supply under voltage lockout (UVLO), and LED open protection.


FEATURES

- Current Mode PWM Controller With Good Dynamic Response
- 8V to 35V Input Voltage Range
- External PWM Dimming Mode
- Over Voltage Protection
- Over Current Protection
- Under Voltage Lockout (UVLO)
- Thermal Shutdown
- SOP-8 Packages

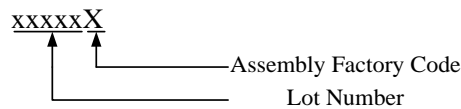
APPLICATIONS

- LCD Monitor
- LCD TV
- Flat panel display

ORDERING INFORMATION

PACKAGE	TEMPERATURE RANGE	ORDERING PART NUMBER	TRANSPORT MEDIA	MARKING
SOP-8	-40°C to 85°C	PT4131ESOH	Tape and Reel 2500 units	 PT4131 xxxxxX

Note:



TYPICAL APPLICATION CIRCUIT

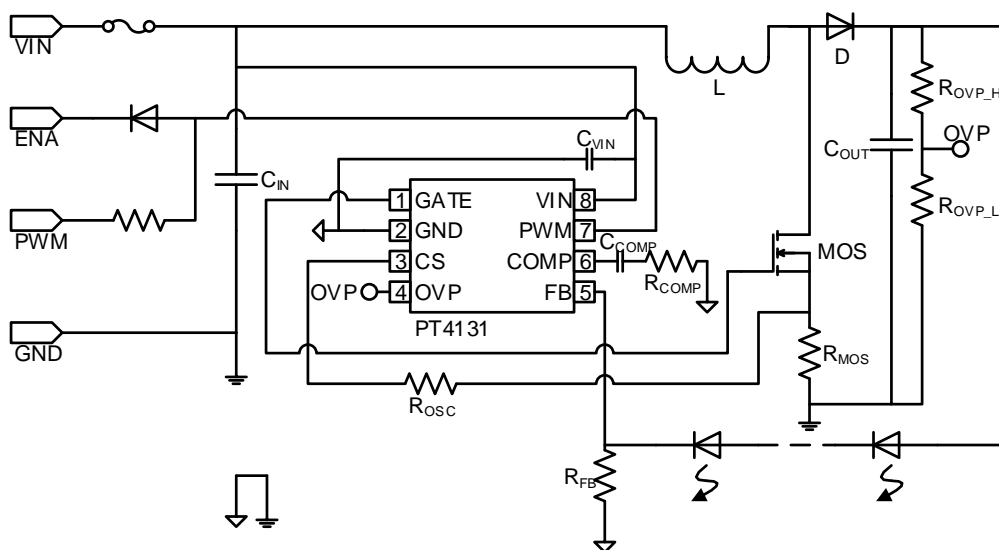


Figure1. PT4131 Typical Application Schematic