



# SP1937

## DC-DC Step-Up Converter for White LED

### DESCRIPTION

The SP1937 is a step-up DC/DC converter for white LED driver with constant current. The device can driver one to four LEDs in series from a single cell Lithium Ion battery. Internal functions include current limiting; thermal shutdown and soft-start to prevent damage operate status. The SP1937 DC/DC converter operates at 1.2MHz and low output capacitor as small as 0.22uF; apply to Lithium-Ion powered systems. A low 95mV (Typ) reference voltage minimizes power loss in the current setting resistor for better efficiency.

### APPLICATIONS

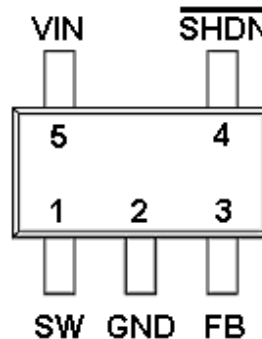
- Battery Power Equipment
- Notebook Computers
- PDA
- Cellular Phone
- Digital Cameras
- MP3 Players
- GPS Receivers

### FEATURES

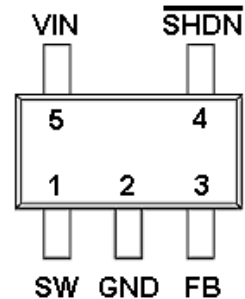
- ◆ Fast 1.2MHz Switching Frequency
- ◆ High Efficiency up to 85%
- ◆ Drives up to seven LEDs From 2.5V Supply
- ◆ Low Quiescent Current
- ◆ Disconnects LEDs in Shutdown Mode
- ◆ Internal Over Temperature and Current Limiting Shutdown Function
- ◆ 36V Rugged Bipolar Switch
- ◆ Small Package SOT-23-5L & SOT-353

### PIN CONFIGURATION

SOT-23-5L

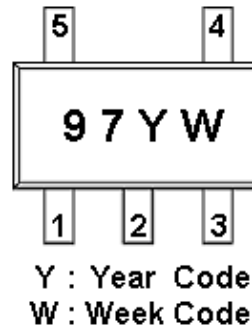


SOT-353 ( SC-70-5L )

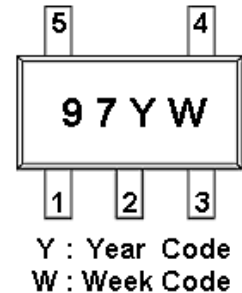


### PART MARKING

SOT-23-5L



SOT-353 ( SC-70-5L )

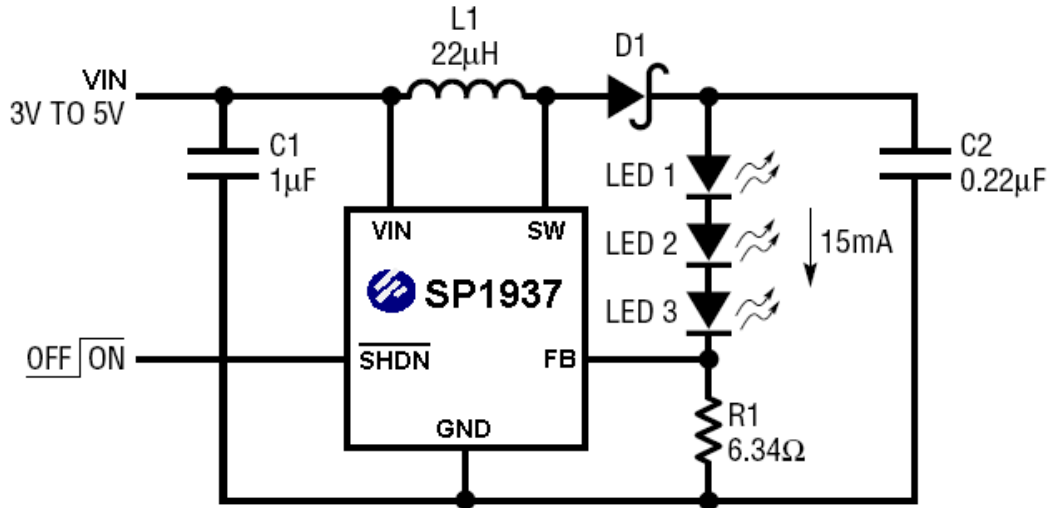




# SP1937

## DC-DC Step-Up Converter for White LED

### TYPICAL APPLICATION CIRCUIT



### PIN DESCRIPTION

#### SP1937S25RG / SP1937S25RGB

| Pin | Symbol | Description                     |
|-----|--------|---------------------------------|
| 1   | SW     | Switch Pin.                     |
| 2   | GND    | Ground Pin                      |
| 3   | FB     | Feedback Pin.                   |
| 4   | SHDN   | Shutdown Pin. Active-low enable |
| 5   | VIN    | Supply Voltage Input            |

#### SP1937S35RG / SP1937S35RGB

| Pin | Symbol | Description                     |
|-----|--------|---------------------------------|
| 1   | SW     | Switch Pin.                     |
| 2   | GND    | Ground Pin                      |
| 3   | FB     | Feedback Pin.                   |
| 4   | SHDN   | Shutdown Pin. Active-low enable |
| 5   | VIN    | Supply Voltage Input            |

### ORDERING INFORMATION

| Part Number  | Package              | Part Marking |
|--------------|----------------------|--------------|
| SP1937S25RG  | SOT-23-5L            | 97YW         |
| SP1937S25RGB | SOT-23-5L            | 97YW         |
| SP1937S35RG  | SOT-353 ( SC-70-5L ) | 97YW         |
| SP1937S35RGB | SOT-353 ( SC-70-5L ) | 97YW         |

※ Week Code : A ~ Z ( 1 ~ 26 ) ; a ~ z ( 27 ~ 52 )

※ SP1937S25RG : Tape Reel ; Pb – Free

※ SP1937S25RGB : Tape Reel ; Pb – Free ; Halogen - Free

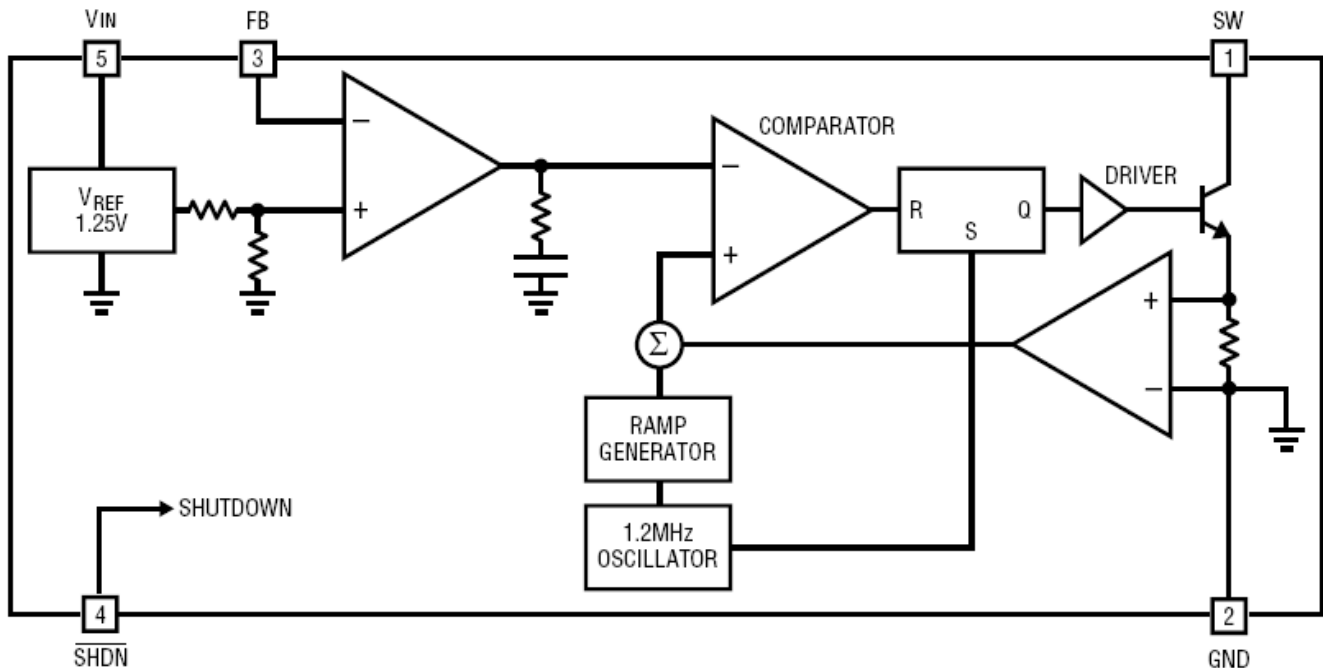
※ SP1937S35RG : Tape Reel ; Pb – Free

※ SP1937S35RGB : Tape Reel ; Pb – Free ; Halogen - Free



# SP1937 DC-DC Step-Up Converter for White LED

## BLOCK DIAGRAM



## ABSOLUTE MAXIMUM RATINGS

(T<sub>A</sub>=25°C Unless otherwise specified)

| Parameter                    | Symbol              | Value   | Unit |
|------------------------------|---------------------|---------|------|
| DC Supply Voltage            | V <sub>IN</sub>     | 10      | V    |
| SW Voltage                   | V <sub>SW</sub>     | 36      | V    |
| FB Voltage                   | V <sub>FB</sub>     | 10      | V    |
| SHDN Voltage                 | V <sub>SHDN</sub>   | 10      | V    |
| Operating Temperature        | T <sub>OPR</sub>    | -40~85  | °C   |
| Maximum Junction Temperature | T <sub>J(Max)</sub> | 125     | °C   |
| Storage Temperature          | T <sub>S</sub>      | -65~150 | °C   |

The IC has a protection circuit against static electricity. Do not apply high static electricity or high voltage that exceeds the performance of the protection circuit to the IC.



# SP1937

## DC-DC Step-Up Converter for White LED

### ELECTRICAL CHARACTERISTICS

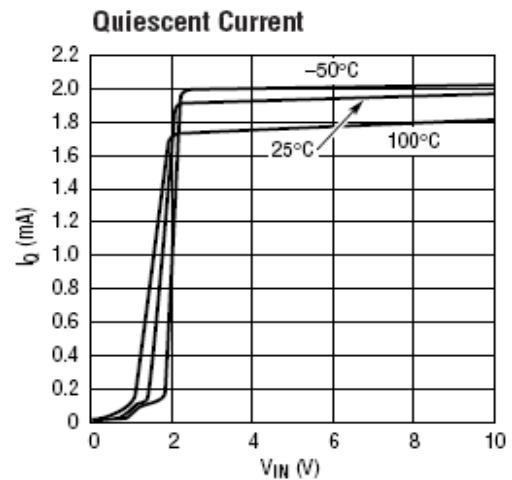
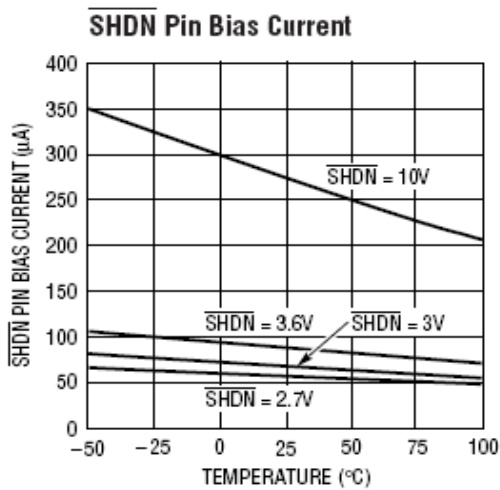
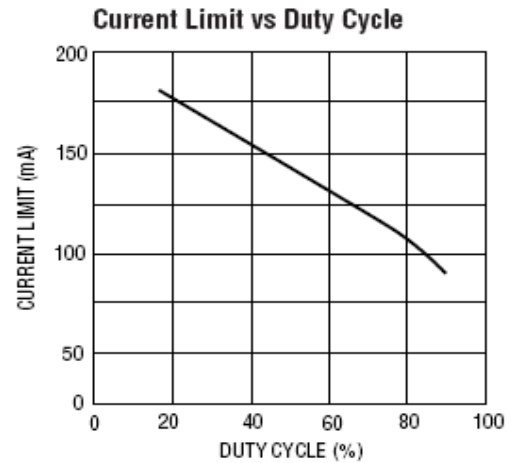
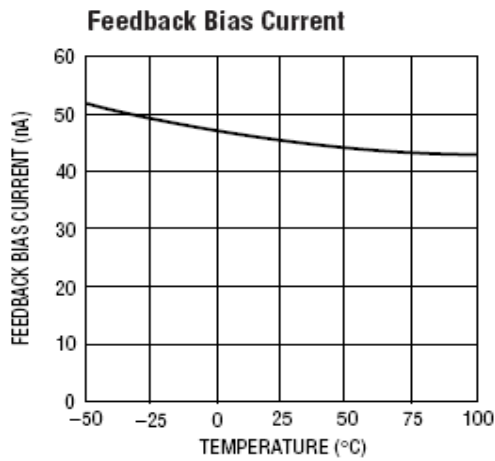
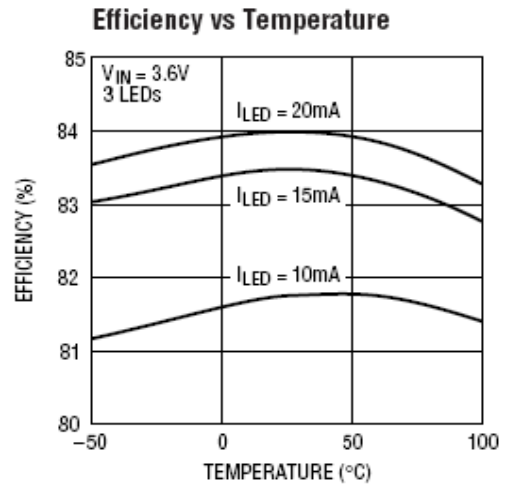
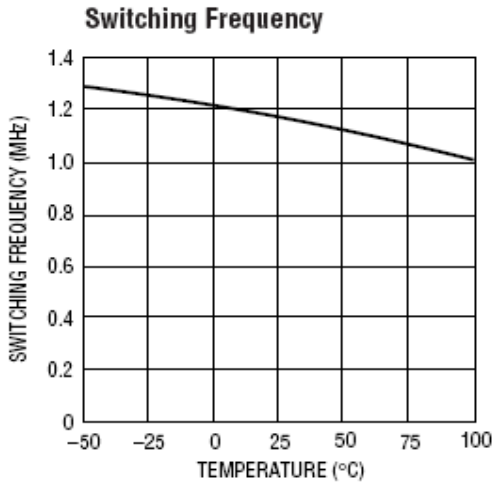
( $T_A=25^{\circ}\text{C}$ ,  $V_{\text{IN}}=3\text{V}$ ,  $V_{\text{SHDN}}=3\text{V}$ , Unless otherwise specified)

| Parameter              | Conditions                                      | Min. | Typ. | Max. | Unit          |
|------------------------|---|------|------|------|---------------|
| Operating Voltage      |   | 2.5  |      | 9    | V             |
| Out Voltage            |   |      |      | 27   | V             |
| Feedback Voltage       | $I_{\text{sw}}=100\text{mA}$ , Duty Cycle = 66% | 86   |      | 110  | mV            |
| FB Pin Bias Current    |   |      |      | 150  | nA            |
| Supply Current         |   |      | 2.8  | 3.5  | mA            |
|                        | $V_{\text{SHDN}} = 0\text{V}$                   |      | 0.1  | 1.0  | $\mu\text{A}$ |
| Switching Frequency    |   | 0.8  | 1.2  | 1.6  | MHz           |
| Maximum Duty Cycle     |   |      | 85   |      | %             |
| Switch Current Limit   |   |      | 320  |      | mA            |
| Switch Leakage Current | $V_{\text{sw}} = 5\text{V}$                     |      | 0.01 | 5    | $\mu\text{A}$ |
| Switch Vcesat          | $I_{\text{sw}} = 200\text{mA}$                  |      | 150  |      | mV            |
| SHDN Voltage High      |   | 1.5  |      |      | V             |
| SHDN Voltage Low       |   |      |      | 0.4  | V             |
| SHDN Pin Bias Current  |   |      | 90   |      | $\mu\text{A}$ |



# SP1937 DC-DC Step-Up Converter for White LED

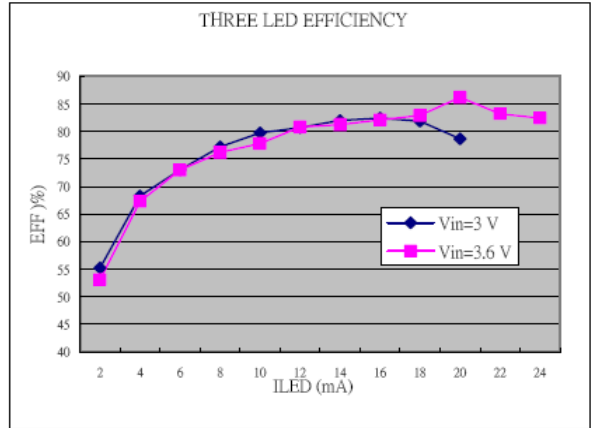
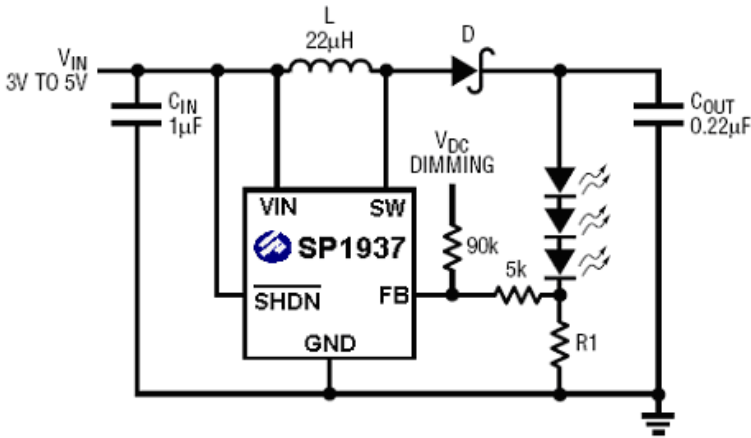
## TYPICAL PERFORMANCE CHARACTERISTICS



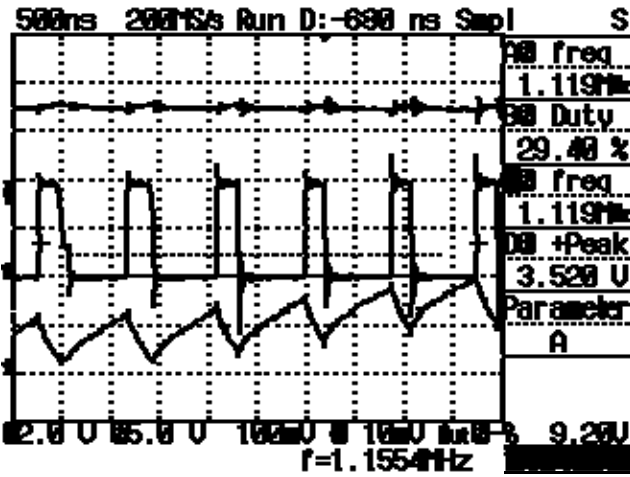


# SP1937 DC-DC Step-Up Converter for White LED

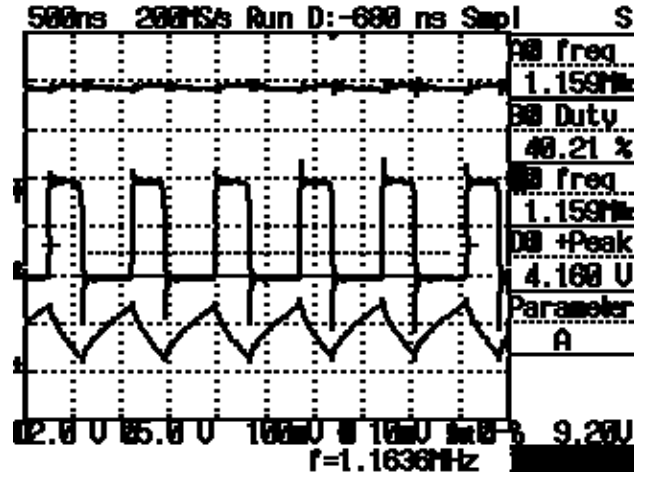
## APPLICATION INFORMATION



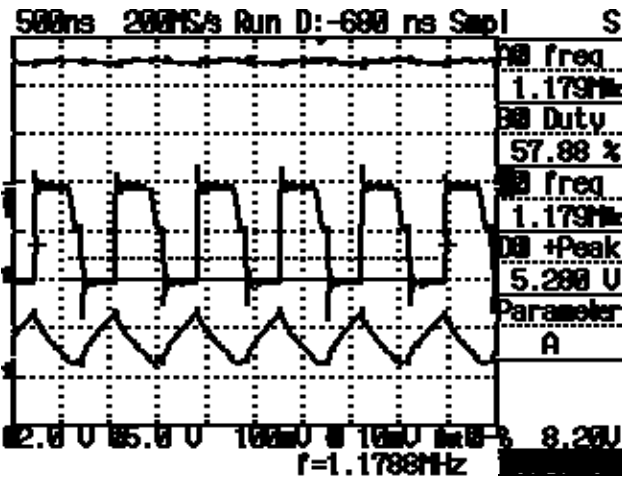
CH1: VCC / CH2: V<sub>sw</sub> / CH3: Inductor current / R1= 6.8Ω



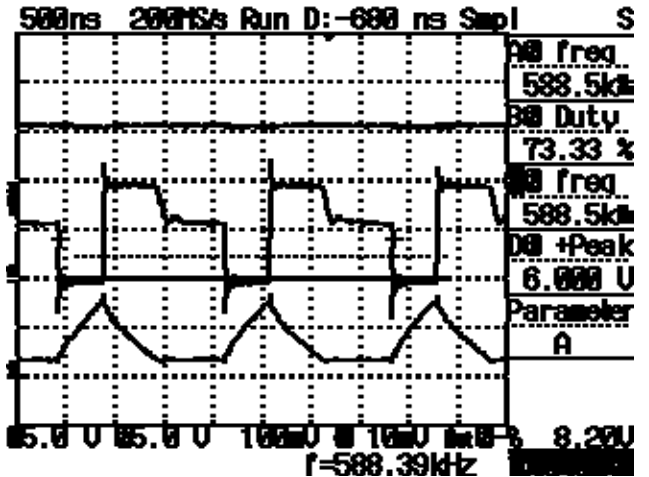
Vin=3V ; Vout=8.972V ; Iout=14.624mA



Vin=3.75V ; Vout=8.957V ; Iout=14.698mA



Vin=5V ; Vout=8.963V ; Iout=14.869mA



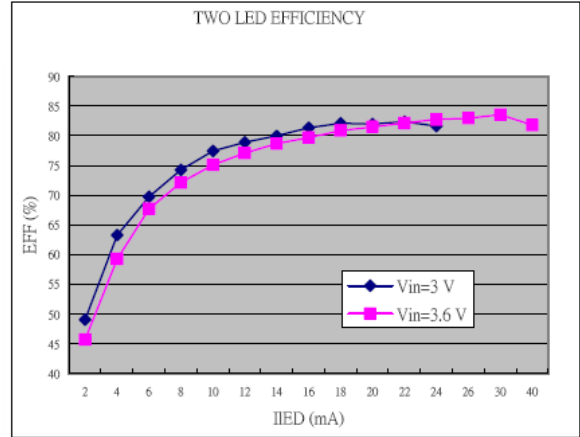
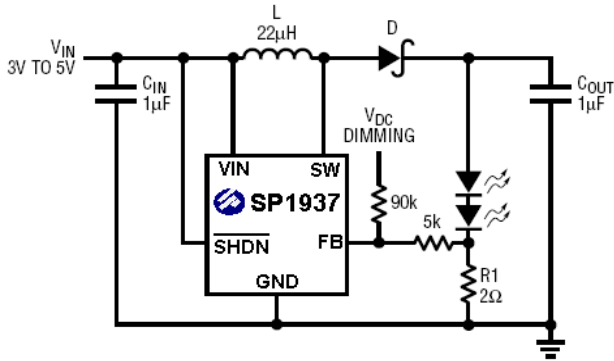
Vin=5.5V ; Vout=8.959V ; Iout=14.836mA



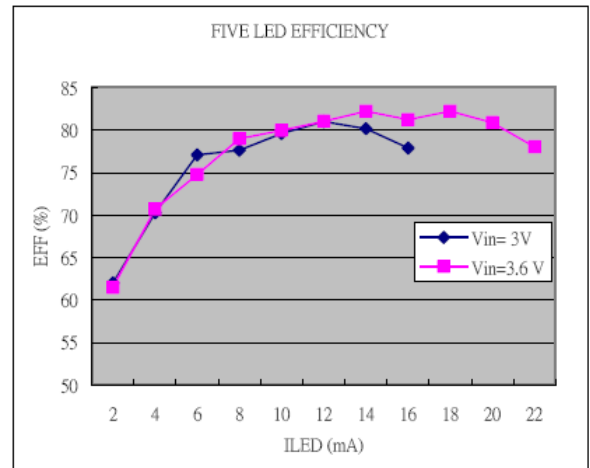
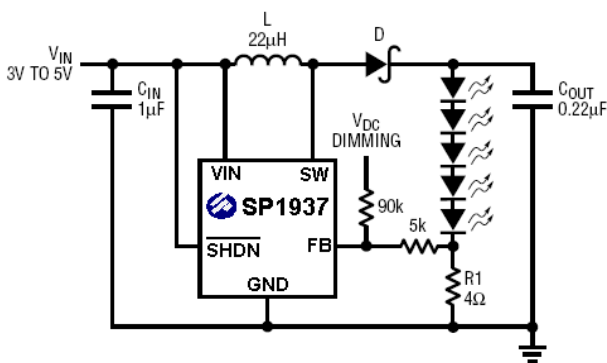
# SP1937 DC-DC Step-Up Converter for White LED

APPLICATION CIRCUIT ( For Portable System --- Series )

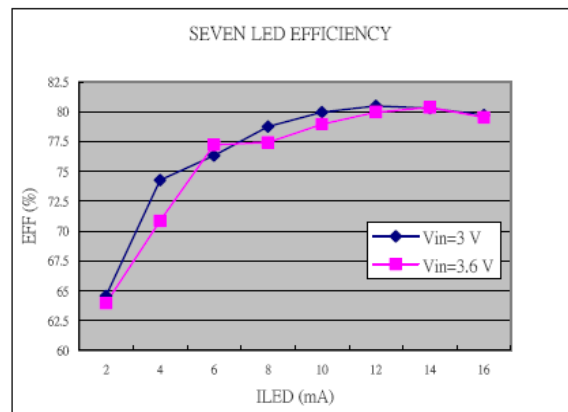
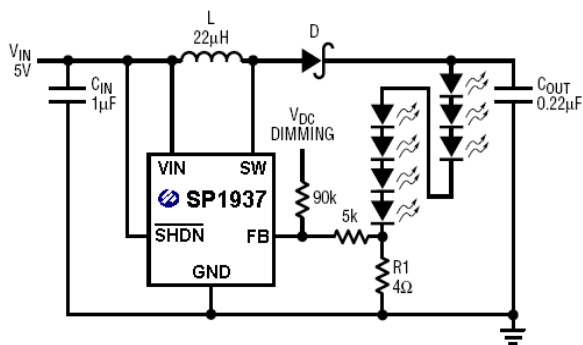
Li-Ion to Two White LEDs



Li-Ion to Five White LEDs



5V to Seven White LEDs



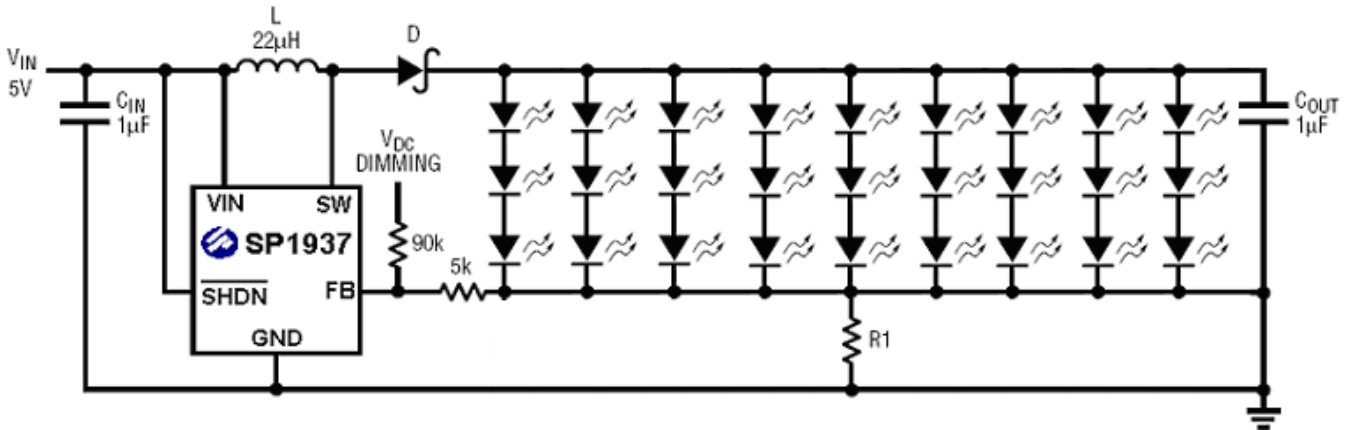


# SP1937

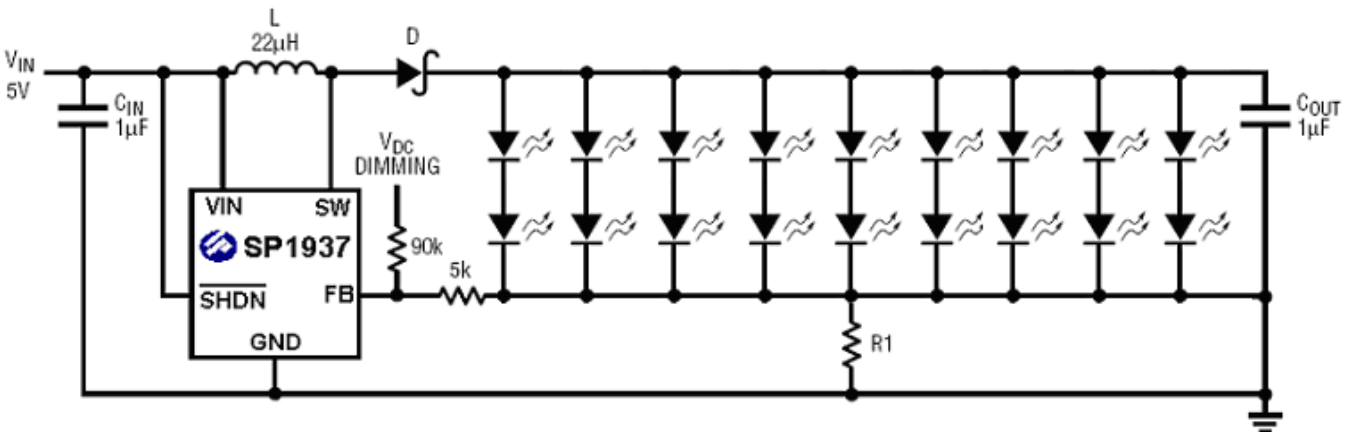
## DC-DC Step-Up Converter for White LED

### APPLICATION CIRCUIT

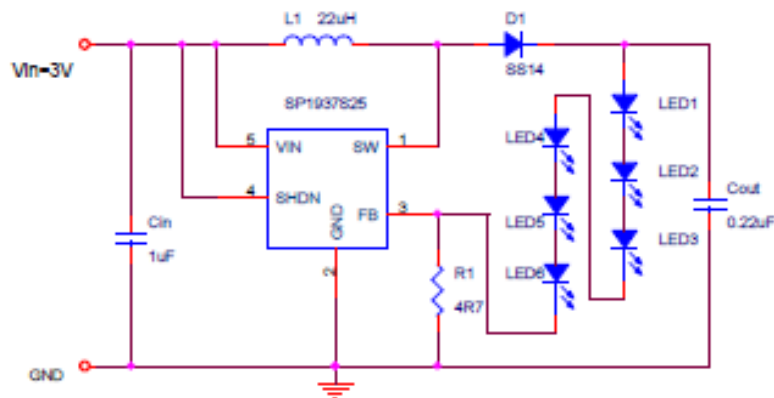
Three Series / Nine Parallel For 8" LCD Panel



Two Series / Nine Parallel For 7" LCD Panel



3V with Six White LEDs

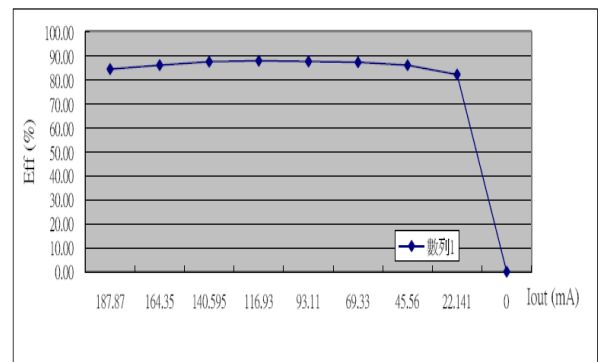
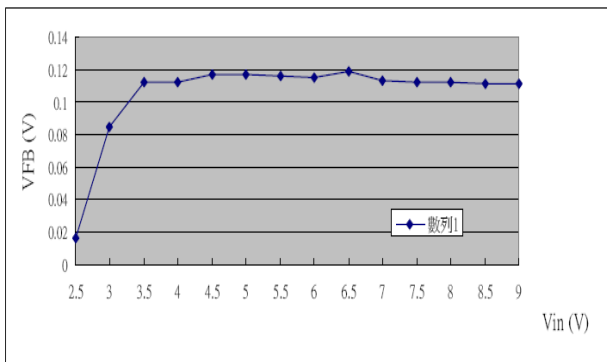
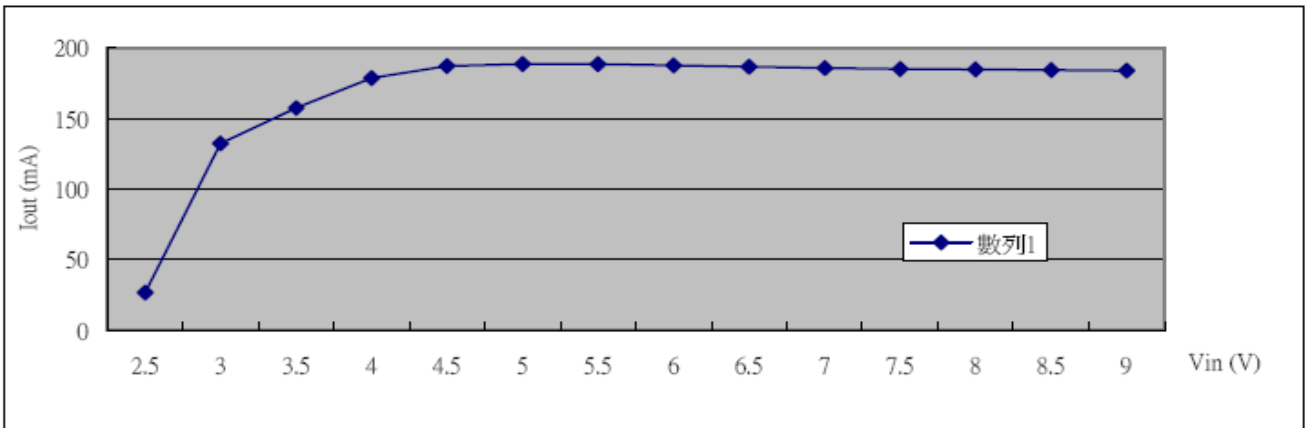
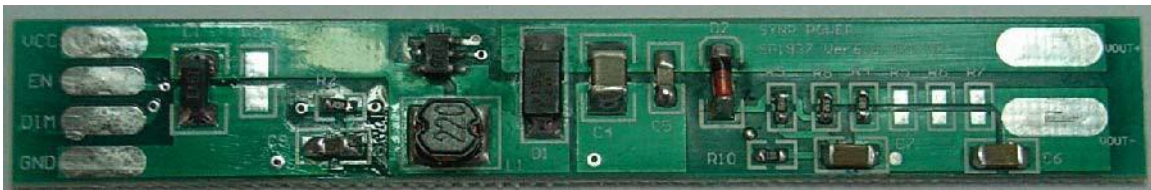
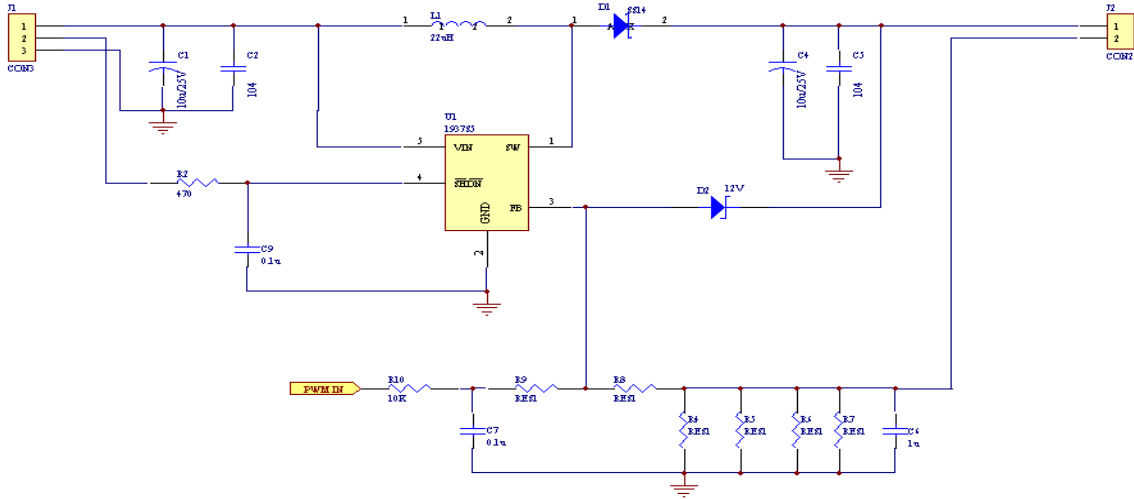






# SP1937 DC-DC Step-Up Converter for White LED

## TYPICAL PERFORMERCE CHARACTERISTICS( For LCD Panel )

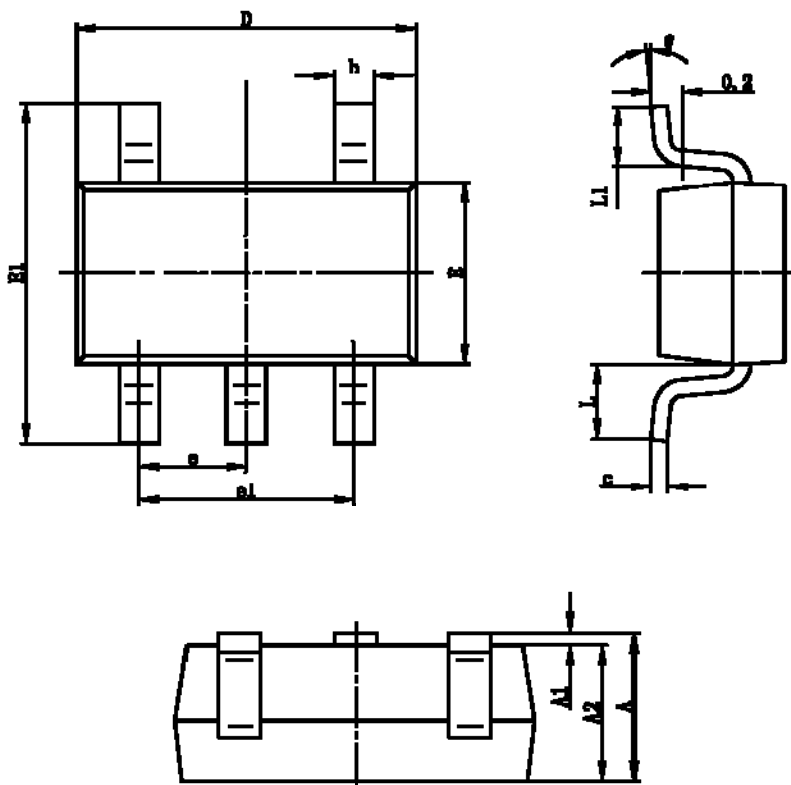




# SP1937

## DC-DC Step-Up Converter for White LED

### SOT-23-5L PACKAGE OUTLINE



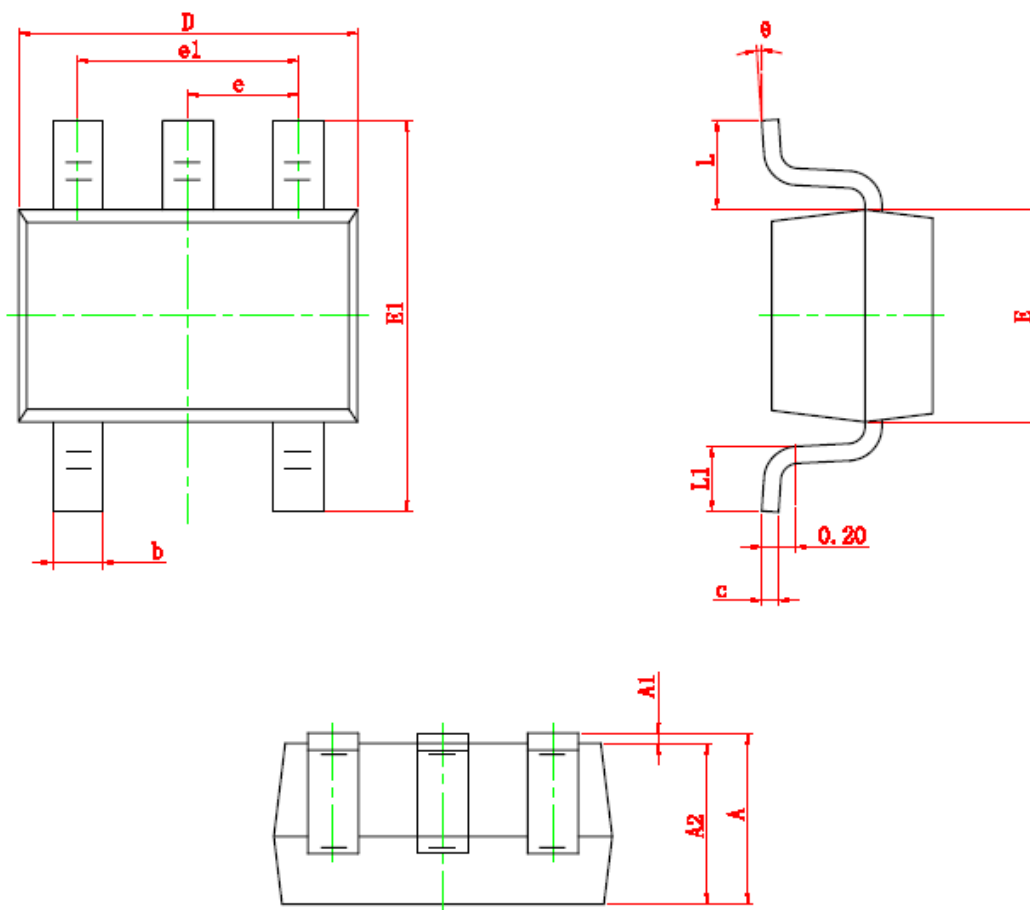
| Symbol | Dimensions In Millimeters |       | Dimensions In Inches |       |
|--------|---------------------------|-------|----------------------|-------|
|        | Min                       | Max   | Min                  | Max   |
| A      | 1.050                     | 1.250 | 0.041                | 0.049 |
| A1     | 0.000                     | 0.100 | 0.000                | 0.004 |
| A2     | 1.050                     | 1.150 | 0.041                | 0.045 |
| b      | 0.300                     | 0.400 | 0.012                | 0.016 |
| c      | 0.100                     | 0.200 | 0.004                | 0.008 |
| D      | 2.820                     | 3.020 | 0.111                | 0.119 |
| E      | 1.500                     | 1.700 | 0.059                | 0.067 |
| E1     | 2.650                     | 2.950 | 0.104                | 0.116 |
| e      | 0.950TYP                  |       | 0.037TYP             |       |
| e1     | 1.800                     | 2.000 | 0.071                | 0.079 |
| L      | 0.700REF                  |       | 0.028REF             |       |
| L1     | 0.300                     | 0.600 | 0.012                | 0.024 |
| θ      | 0°                        | 8°    | 0°                   | 8°    |



# SP1937

## DC-DC Step-Up Converter for White LED

### SOT-353 PACKAGE OUTLINE



| Symbol | Dimensions In Millimeters |       | Dimensions In Inches |       |
|--------|---------------------------|-------|----------------------|-------|
|        | Min                       | Max   | Min                  | Max   |
| A      | 0.900                     | 1.100 | 0.035                | 0.043 |
| A1     | 0.000                     | 0.100 | 0.000                | 0.004 |
| A2     | 0.900                     | 1.000 | 0.035                | 0.039 |
| b      | 0.150                     | 0.350 | 0.006                | 0.014 |
| c      | 0.080                     | 0.150 | 0.003                | 0.006 |
| D      | 2.000                     | 2.200 | 0.079                | 0.087 |
| E      | 1.150                     | 1.350 | 0.045                | 0.053 |
| E1     | 2.150                     | 2.450 | 0.085                | 0.096 |
| e      | 0.650 TYP                 |       | 0.026 TYP            |       |
| e1     | 1.200                     | 1.400 | 0.047                | 0.055 |
| L      | 0.525 REF                 |       | 0.021 REF            |       |
| L1     | 0.260                     | 0.460 | 0.010                | 0.018 |
| θ      | 0°                        | 8°    | 0°                   | 8°    |



# SP1937

## DC-DC Step-Up Converter for White LED

---

Information provided is alleged to be exact and consistent. SYNC Power Corporation presumes no responsibility for the penalties of use of such information or for any violation of patents or other rights of third parties which may result from its use. No license is granted by allegation or otherwise under any patent or patent rights of SYNC Power Corporation. Conditions mentioned in this publication are subject to change without notice. This publication surpasses and replaces all information previously supplied. SYNC Power Corporation products are not authorized for use as critical components in life support devices or systems without express written approval of SYNC Power Corporation.

© The SYNC Power logo is a registered trademark of SYNC Power Corporation

© 2004 SYNC Power Corporation – Printed in Taiwan – All Rights Reserved

SYNC Power Corporation

7F-2, No.3-1, Park Street

NanKang District (NKSP), Taipei, Taiwan 115

Phone: 886-2-2655-8178

Fax: 886-2-2655-8468

<http://www.syncpower.com>