



# SPN1026

## Dual N-Channel Enhancement Mode MOSFET

### DESCRIPTION

The SPN1026 is the Dual N-Channel enhancement mode field effect transistors are produced using high cell density DMOS technology. These products have been designed to minimize on-state resistance while provide rugged, reliable, and fast switching performance. They can be used in most applications requiring up to 320mA DC and can deliver pulsed currents up to 1.0A. These products are particularly suited for low voltage, low current applications such as small servo motor control, power MOSFET gate drivers, and other switching applications.

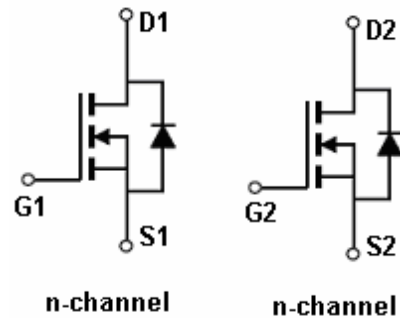
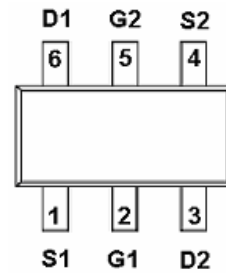
### FEATURES

- ◆ 60V/0.50A ,  $R_{DS(ON)} = 5.0\Omega @ V_{GS} = 10V$
- ◆ 60V/0.30A ,  $R_{DS(ON)} = 5.5\Omega @ V_{GS} = 5V$
- ◆ Super high density cell design for extremely low  $R_{DS(ON)}$
- ◆ Exceptional on-resistance and maximum DC current capability
- ◆ SOT-563 / SC-89-6L package design

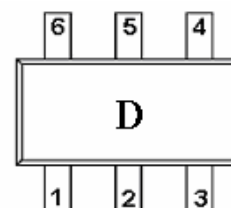
### APPLICATIONS

- Drivers: Relays, Solenoids, Lamps, Hammers, Display, Memories, Transistors, etc.
- High saturation current capability. Direct Logic-Level Interface: TTL/CMOS
- Battery Operated Systems
- Solid-State Relays

### PIN CONFIGURATION( SOT-563 / SC-89-6L )



### PART MARKING





# SPN1026

## Dual N-Channel Enhancement Mode MOSFET

### PIN DESCRIPTION

| Pin | Symbol | Description |
|-----|--------|-------------|
| 1   | S1     | Source 1    |
| 2   | G1     | Gate 1      |
| 3   | D2     | Drain 2     |
| 4   | S2     | Source 2    |
| 5   | G2     | Gate 2      |
| 6   | D1     | Drain1      |

### ORDERING INFORMATION

| Part Number   | Package | Part Marking |
|---------------|---------|--------------|
| SPN1026S56RG  | SOT-563 | D            |
| SPN1026S56RGB | SOT-563 | D            |

※ SPN1026S56RG : Tape Reel ; Pb – Free

※ SPN1026S56RGB : Tape Reel ; Pb – Free, Halogen – Free

### ABSOLUTE MAXIMUM RATINGS (TA=25°C Unless otherwise noted)

| Parameter  | Symbol           | Typical   | Unit |
|--|------------------|-----------|------|
| Drain-Source Voltage   | V <sub>DSS</sub> | 60        | V    |
| Gate –Source Voltage - Continuous                              | V <sub>GSS</sub> | ±20       | V    |
| Gate –Source Voltage - Non Repetitive ( t <sub>p</sub> < 50μs) | V <sub>GSS</sub> | ±40       | V    |
| Continuous Drain Current(T <sub>J</sub> =150°C)                | I <sub>D</sub>   | 0.32      | A    |
| TA=25°C  |                  |           |      |
| Pulsed Drain Current (*)                                       | I <sub>DM</sub>  | 1.0       | A    |
| Continuous Source Current(Diode Conduction)                    | I <sub>S</sub>   | 0.25      | A    |
| Power Dissipation  | P <sub>D</sub>   | 0.30      | W    |
| TA=25°C  |                  |           |      |
| Operating Junction Temperature                                 | T <sub>J</sub>   | -55 ~ 150 | °C   |
| Storage Temperature Range                                      | T <sub>STG</sub> | -55 ~ 150 | °C   |
| Thermal Resistance-Junction to Ambient                         | R <sub>θJA</sub> | 375       | °C/W |



# SPN1026

## Dual N-Channel Enhancement Mode MOSFET

(\*) Pulse width limited by safe operating area

**ELECTRICAL CHARACTERISTICS** ( $T_A=25^\circ\text{C}$  Unless otherwise noted)

| Parameter                       | Symbol        | Conditions   | Min. | Typ  | Max.      | Unit     |
|---------------------------------|---------------|--|------|------|-----------|----------|
| <b>Static</b>                   |               |  |      |      |           |          |
| Drain-Source Breakdown Voltage  | $V_{(BR)DSS}$ | $V_{GS}=0V, I_D=250\mu A$                              | 60   |      |           | V        |
| Gate Threshold Voltage          | $V_{GS(th)}$  | $V_{DS}=V_{GS}, I_D=250\mu A$                          | 1.0  | 1.7  | 2.5       | V        |
| Gate Leakage Current            | $I_{GSS}$     | $V_{DS}=0V, V_{GS}=\pm 20V$                            |      |      | $\pm 100$ | nA       |
| Zero Gate Voltage Drain Current | $I_{DSS}$     | $V_{DS}=60V, V_{GS}=0V$                                |      |      | 1         | uA       |
|                                 |               | $V_{DS}=60V, V_{GS}=0V$<br>$T_J=85^\circ\text{C}$      |      |      | 10        |          |
| Drain-Source On-Resistance      | $R_{DS(on)}$  | $V_{GS}=10V, I_D=0.50A$                                |      | 2.8  | 5.0       | $\Omega$ |
|                                 |               | $V_{GS}=5V, I_D=0.30A$                                 |      | 3.5  | 5.5       |          |
| Source-drain Current            | $I_{SD}$      |  |      |      | 0.32      | A        |
| Source-drain Current (pulsed)   | $I_{SDM(2)}$  |  |      |      | 1.4       | A        |
| Forward Transconductance        | $G_{fs(1)}$   | $V_{DS}=10V, I_D=0.5A$                                 |      | 0.6  |           | S        |
| Diode Forward Voltage           | $V_{SD(1)}$   | $V_{GS}=0V, I_S=0.2A$                                  |      | 0.85 | 1.5       | V        |
| <b>Dynamic</b>                  |               |  |      |      |           |          |
| Total Gate Charge               | $Q_g$         | $V_{DD}=30V, I_D=1A,$<br>$V_{GS}=5V$                   |      | 1.4  | 2.0       | nC       |
| Gate-Source Charge              | $Q_{gs}$      |  |      | 0.8  |           |          |
| Gate-Drain Charge               | $Q_{gd}$      |  |      | 0.5  |           |          |
| Input Capacitance               | $C_{iss}$     | $V_{DS}=25V, f=1\text{MHz},$<br>$V_{GS}=0$             |      | 43   |           | pF       |
| Output Capacitance              | $C_{oss}$     |  |      | 20   |           |          |
| Reverse Transfer Capacitance    | $C_{rss}$     |  |      | 6    |           |          |
| Turn-On Time                    | $t_{d(on)}$   | $V_{DD}=30V, I_D=0.5A$<br>$R_G=4.7\Omega, V_{GS}=4.5V$ |      | 5    |           | ns       |
|                                 | $t_r$         |  |      | 15   |           |          |
| Turn-Off Time                   | $t_{d(off)}$  |  |      | 7    |           |          |
|                                 | $t_f$         |  |      | 8    |           |          |

(1) Pulsed: Pulse duration = 300  $\mu\text{s}$ , duty cycle 1.5 %.

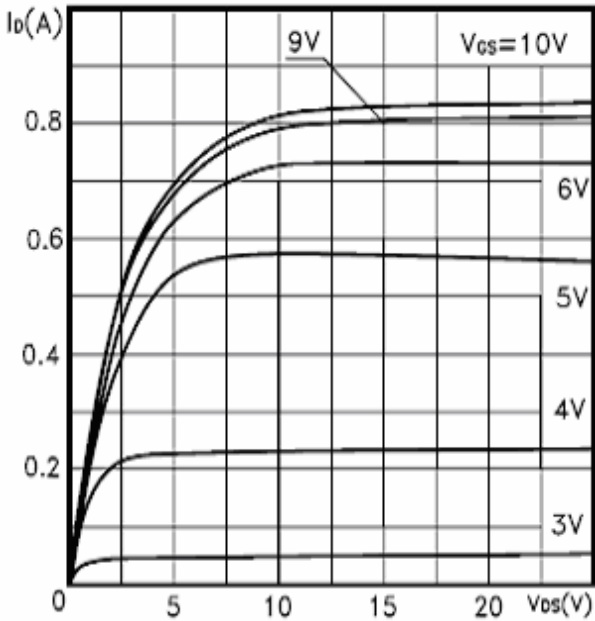
(2) Pulse width limited by safe operating area.



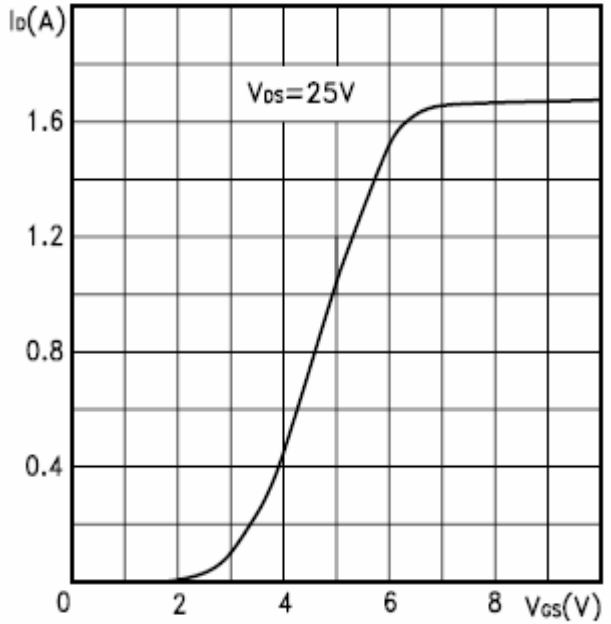
# SPN1026

## Dual N-Channel Enhancement Mode MOSFET

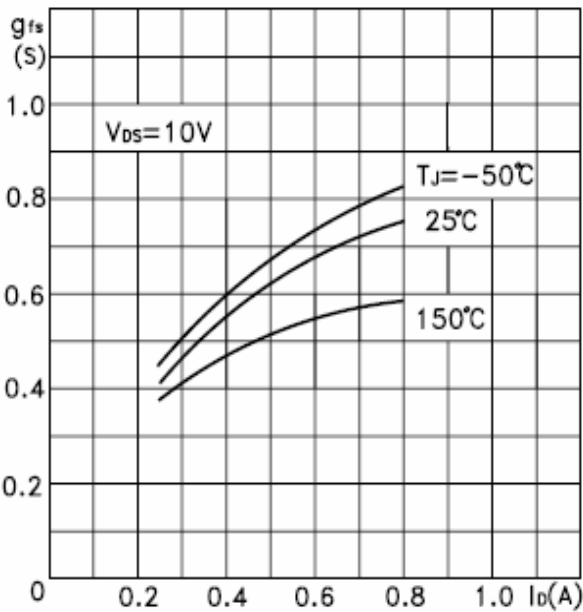
### TYPICAL CHARACTERISTICS



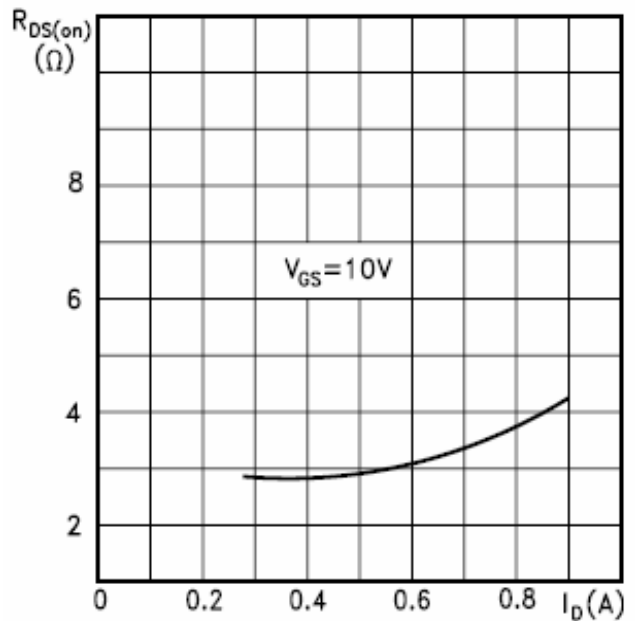
Output Characteristics



Transfer Characteristics



Transconductance



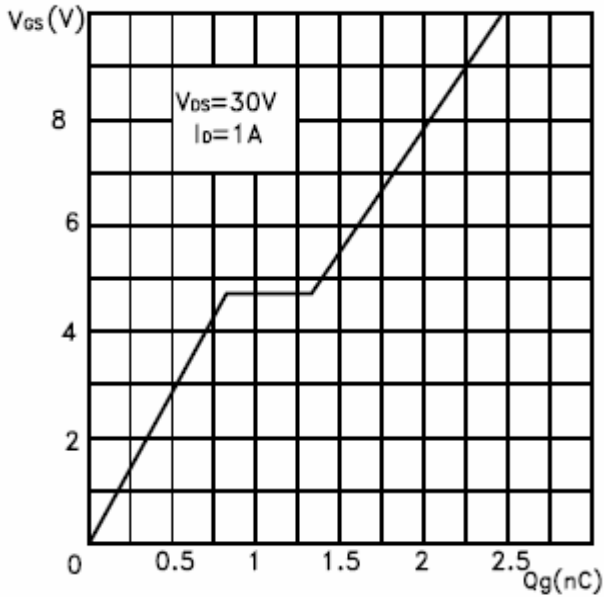
Static Drain-source On Resistance



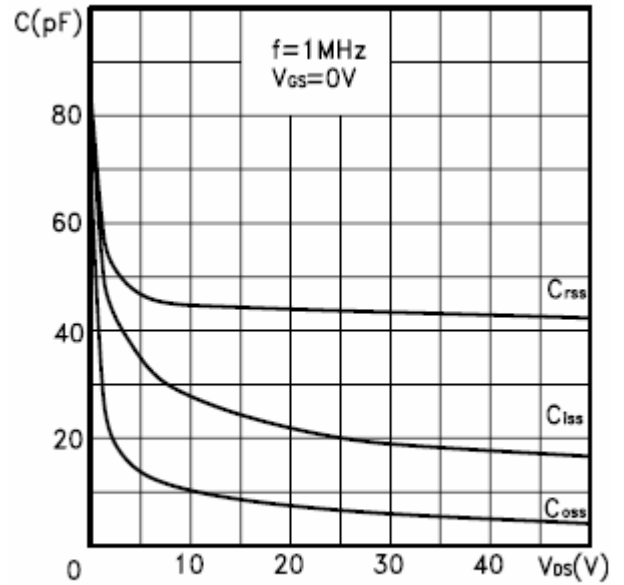
# SPN1026

## Dual N-Channel Enhancement Mode MOSFET

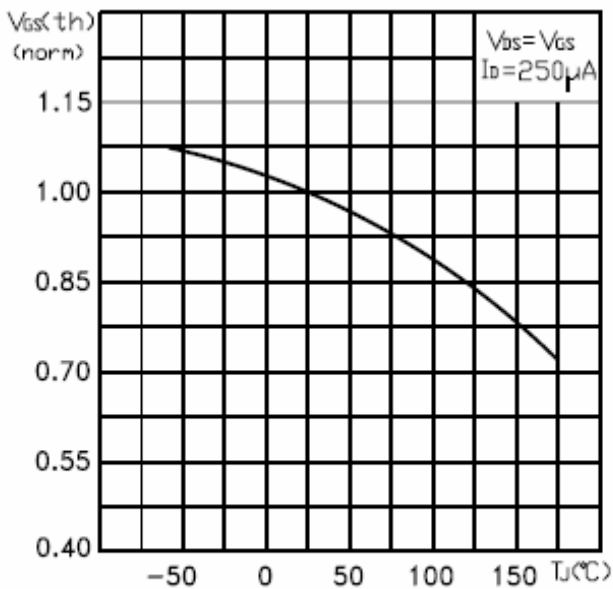
### TYPICAL CHARACTERISTICS



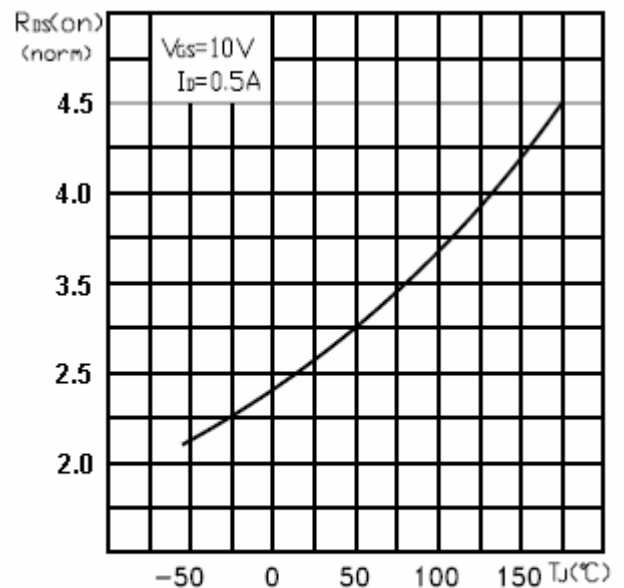
Gate Charge vs Gate-source Voltage



Capacitance Variations



Normalized Gate Threshold Voltage vs Temperature



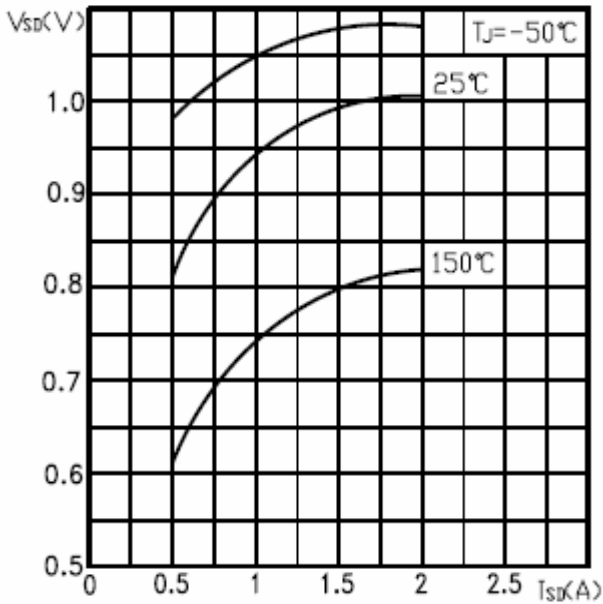
Normalized On Resistance vs Temperature



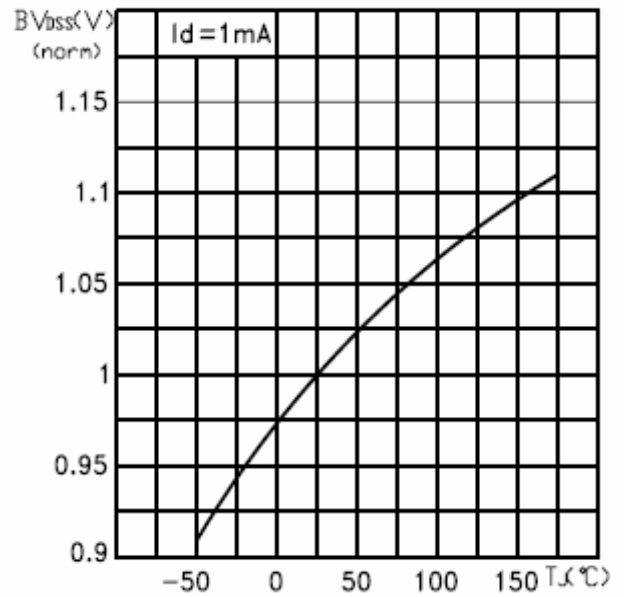
# SPN1026

## Dual N-Channel Enhancement Mode MOSFET

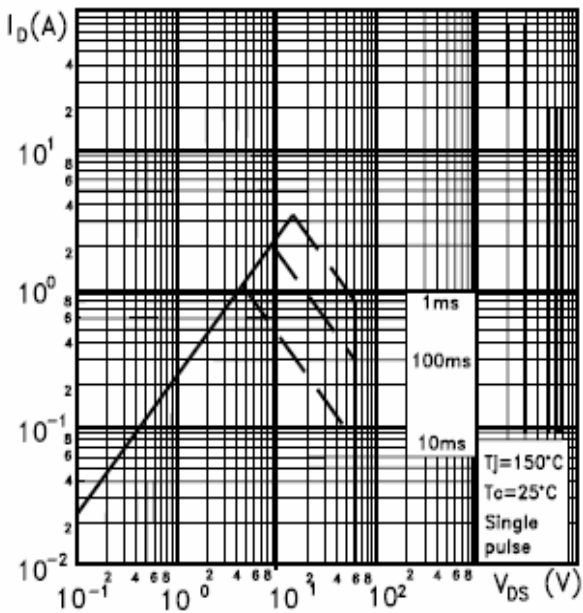
### TYPICAL CHARACTERISTICS



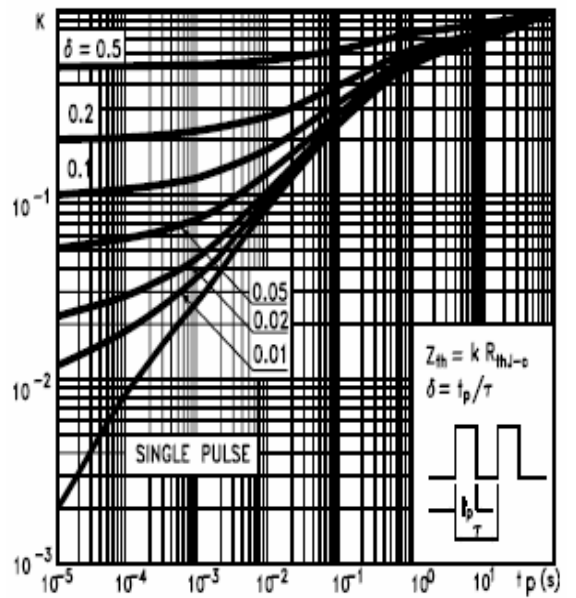
Source-Drain Forward



Normalized BVDSS vs Temperature



Safe Operating Area



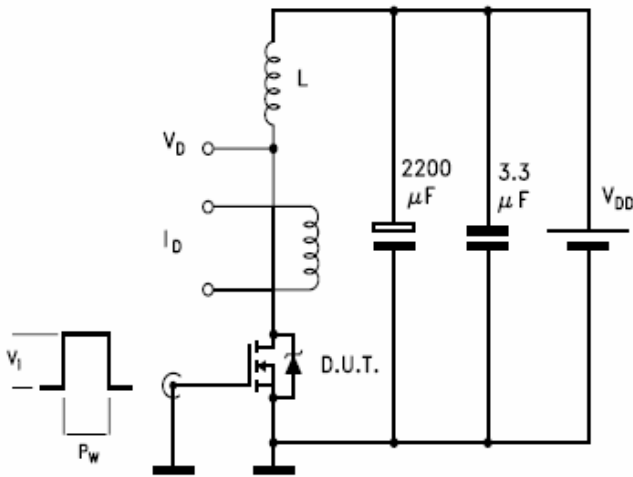
Thermal Impedance



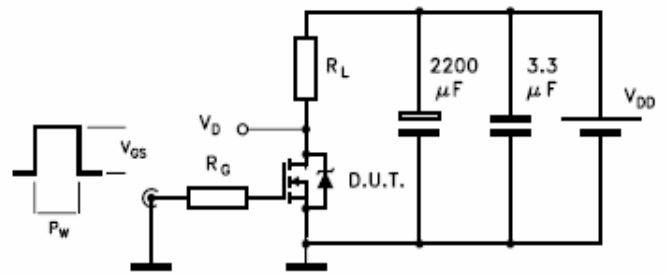
# SPN1026

## Dual N-Channel Enhancement Mode MOSFET

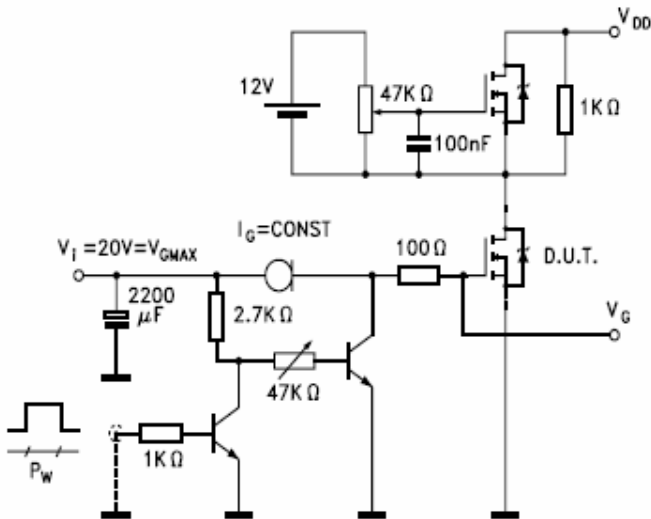
### TYPICAL TESTING CIRCUIT



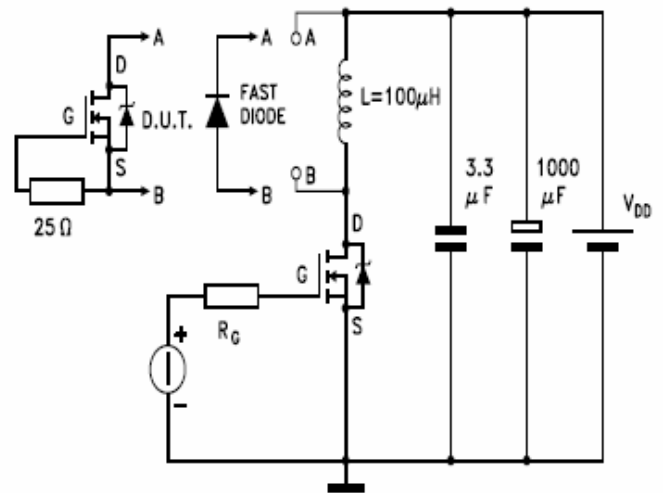
Unclamped Inductive Load Test



Switching Times Test Circuit



Gate Charge Test Circuit



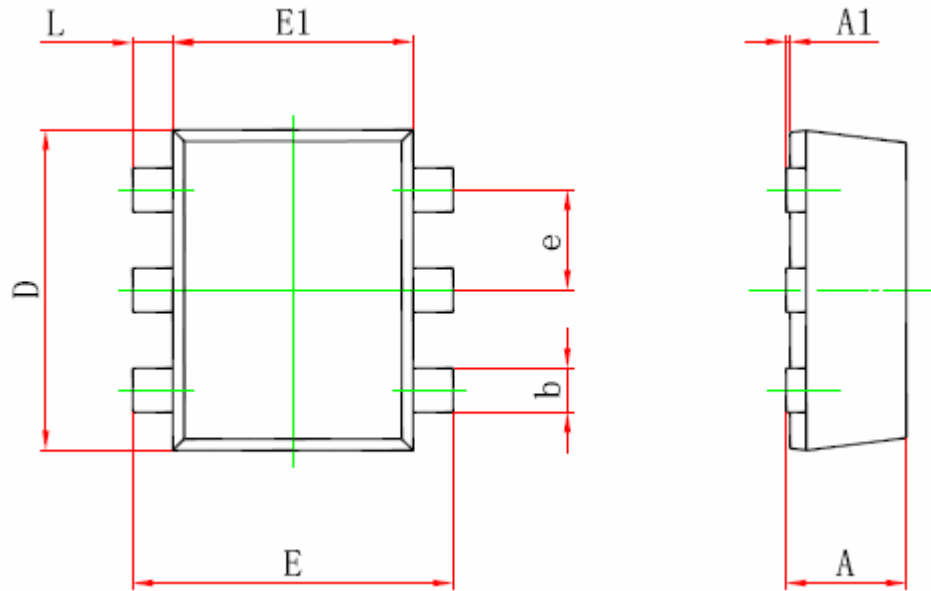
Test Circuit For Inductive Load Switching and Diode Recovery Times



# SPN1026

## Dual N-Channel Enhancement Mode MOSFET

### SOT-563 PACKAGE OUTLINE

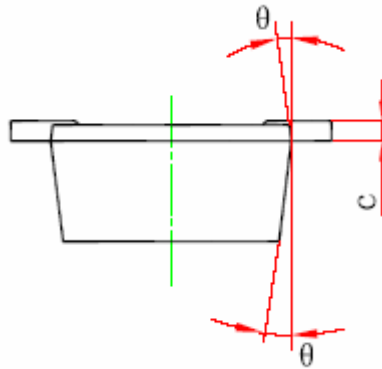






# SPN1026

## Dual N-Channel Enhancement Mode MOSFET



| Symbol | Dimensions In Millimeters |       | Dimensions In Inches |       |
|--------|---------------------------|-------|----------------------|-------|
|        | Min.                      | Max.  | Min.                 | Max.  |
| A      | 0.525                     | 0.600 | 0.021                | 0.024 |
| A1     | 0.000                     | 0.050 | 0.000                | 0.002 |
| e      | 0.450                     | 0.550 | 0.018                | 0.022 |
| c      | 0.090                     | 0.160 | 0.004                | 0.006 |
| D      | 1.500                     | 1.700 | 0.059                | 0.067 |
| b      | 0.170                     | 0.270 | 0.007                | 0.011 |
| E1     | 1.100                     | 1.300 | 0.043                | 0.051 |
| E      | 1.500                     | 1.700 | 0.059                | 0.067 |
| L      | 0.100                     | 0.300 | 0.004                | 0.012 |
| theta  | 7 °REF.                   |       | 7 °REF.              |       |



# SPN1026

## Dual N-Channel Enhancement Mode MOSFET

---

Information provided is alleged to be exact and consistent. SYNC Power Corporation presumes no responsibility for the penalties of use of such information or for any violation of patents or other rights of third parties which may result from its use. No license is granted by allegation or otherwise under any patent or patent rights of SYNC Power Corporation. Conditions mentioned in this publication are subject to change without notice. This publication surpasses and replaces all information previously supplied. SYNC Power Corporation products are not authorized for use as critical components in life support devices or systems without express written approval of SYNC Power Corporation.

©The SYNC Power logo is a registered trademark of SYNC Power Corporation

©2004 SYNC Power Corporation – Printed in Taiwan – All Rights Reserved

SYNC Power Corporation

9F-5, No.3-2, Park Street

NanKang District (NKSP), Taipei, Taiwan, 115, R.O.C

Phone: 886-2-2655-8178

Fax: 886-2-2655-8468

©<http://www.syncpower.com>